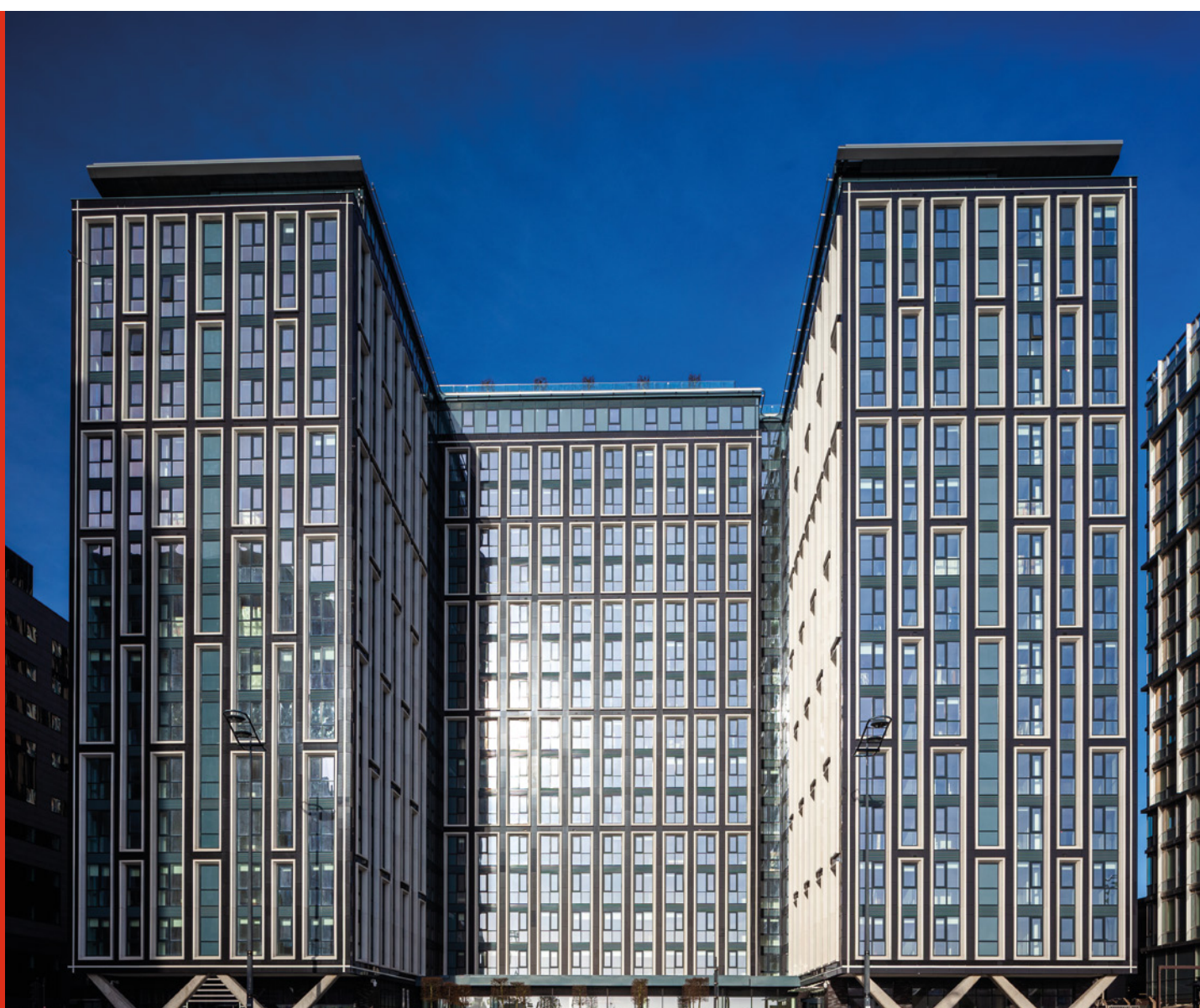


ARCHITECTURAL ALUMINIUM GLAZING SYSTEMS

WINDOW SYSTEMS





The Grange School, Runcorn
Architect: Aedas

CONTENTS

04	Window Systems Product Selector
06	Suited Handle Range
08	KWD92 UT+ Inward Opening Window System
14	AA®720 Two-Stage Open-In Accessibility Window
16	AA®720 Outward Opening Window Systems
20	AA®720 Standard Casement Window
26	AA®720 SL Slimline Casement Window
32	AA®720 Pivot Window
38	AA®720 Parallel Opening Window
42	AA®720 Inward Opening Window Systems
46	AA®720 Tiltturn Window
52	GT70S Slimline Renovation Window
60	Case Study - The Copper House, Liverpool
62	Supporting Your Projects

WINDOW SYSTEMS PRODUCT SELECTOR

	KWD92 UT+ Inward Opening	AA®720 Standard Casement	AA®720 SL Slimline Casement	AA®720 Pivot	AA®720 Parallel Opening	AA®720 Tiltturn	GT70S Slimline Renovation (Open-In)
Applications							
New build	■	■	■	■	■	■	■
Refurbishment	■	■	■	■	■	■	■
Heavy Commercial	■	■		■	■	■	
Key Features							
Passive House Compliant	■						
BRE Green Guide Rating °		A	A	A	A	A	A
Dual colour option	■	■	■	■	■	■	■
Punched openings	■	■	■	■	■	■	■
Composite windows	■	■	■	■	■	■	■
Ribbon windows	■	■	■	■	■	■	■
Triple glazing	■	■	■	■	■	■	■
100mm restriction	■	■	■	◆	■	◆	◆
Choice of vent profiles	■	■	■	■	■	■	■
Choice of muntins	■	■	■	■	■	■	■
Trickle ventilation		■	■	■	■	■	■
Option to clean from inside the building	■		■	■		■	■
Suites with Juliet Balcony/Balustrade	■					■	
Suites with LouvreShield						■	
Suites with AA®100/AA®110 curtain walling	■	■	■	■	■	■	
Suites with AA®720 door		■	■	■	■	■	
Suites with 451PT framing		■	■	■	■	■	■
Suited Handle Options‡	■	■	■			■	
Special Applications							
Heritage			■				■
Smoke Ventilation		■					
Low and Ultra Low Carbon Billet Offer	■	■	■	■	■	■	■

Notes:
 * When fitted with trickle vent
 † Dependant on window size and configuration
 ◆ With additional restrictor
 ° Corresponds to the BRE Global Green Guide online generic specification for windows and achieves a summary rating of A for non-domestic schemes. www.thegreenguide.org.uk Element Number 1231500007 (A)
 ¶ For the AA®720 Two-Stage Open-In Accessibility Window, see page 14
 ‡ Suited handles available for the AA®720 and AA®720 SL Open Out Casements, also the AA®720 Open In Tiltturn, Turn Before Tilt, Turn Only, Bottom Hung and French Casement, see pages 6 and 7 (does not apply to the AA®720 Two-Stage Open-In Accessibility Window)

	KWD92 UT+ Inward Opening	AA®720 Standard Casement	AA®720 SL Slimline Casement	AA®720 Pivot	AA®720 Parallel Opening	AA®720 Tiltturn	GT70S Slimline Renovation (Open-In)
Performance							
Security to PAS 24:2016	■	■	■		■	■	■
Document F compliant*†		■	■	■	■	■	■
Document L compliant†	■	■	■	■	■	■	■
Accessories							
Locking handle	■	■	■	■	■	■	■
Espagnolette locking		■	■	■	■		
Multi-point locking	■	■		■	■	■	■
Restricted Pivots				■			
Folding opener		■					
Releasable and fixed restrictors available	■	■	■	■	■	■	■
Two-Stage Open-In Accessibility Vent¶						■	
Window Types							
Casement Top Hung		■	■				
Casement Side Hung		■	■				
Parallel Opening					■		
Pivot Vertical / Offset				■			
Pivot Horizontal				■			
Tiltturn	■					■	■
Tiltturn (Side Hung)	■					■	■
Tiltturn (Bottom Hung)	■					■	■

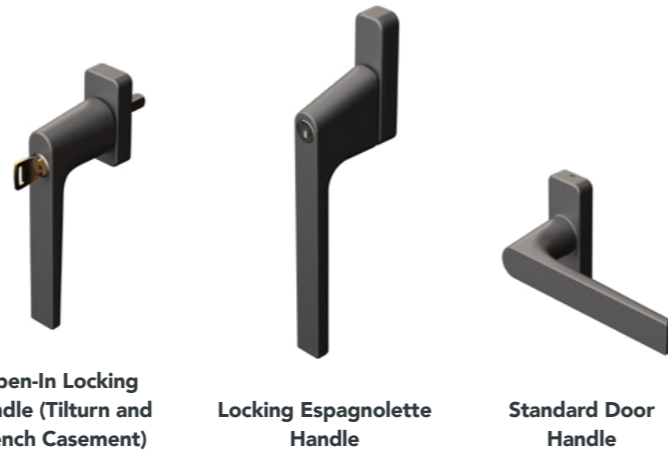
Notes:
 * When fitted with trickle vent
 † Dependant on window size and configuration
 ◆ With additional restrictor
 ° Corresponds to the BRE Global Green Guide online generic specification for windows and achieves a summary rating of A for non-domestic schemes. www.thegreenguide.org.uk Element Number 1231500007 (A)
 ¶ For the AA®720 Two-Stage Open-In Accessibility Window, see page 14
 ‡ Suited handles available for the AA®720 and AA®720 SL Open Out Casements, also the AA®720 Open In Tiltturn, Turn Before Tilt, Turn Only, Bottom Hung and French Casement, see pages 6 and 7 (does not apply to the AA®720 Two-Stage Open-In Accessibility Window)

SUITED HANDLE RANGE

INTRODUCTION

A full range of architecturally inspired handles have been developed to complement the KWD92 UT+, AA®720 and AA®720 SL Casement Windows, AA®720 Tiltturn Window, AA®3720 Folding/Sliding Door, AA®3572 Lift/Slide Door and AA®720 Door. With a vast and impressive range of finishes, including stainless steel, we can deliver project specific painted hardware to match RAL finishes, ensuring a consistent design and colour visual appearance of hardware across multiple products used within the same settings.

Kawneer offers two ranges of handle styles that suite across multiple window and door systems. They provide specifiers with the option of high quality window and door furniture in matching finishes and styles.



K-VESTA

K-Vesta is a modern, sleek and elegant design that is available on a range of handles for use on inward opening and outward opening windows, hinged doors, bifold and lift/slide doors.

K-Vesta handles are available in a range of polyester powder coated finishes achieving a high corrosion-resistance Class 5. In addition to the range of standard colours K-Vesta handles can be painted in over 450 RAL finishes including textured coatings. See right for some examples:

K-DURO

K-Duro handles are a modern and stylish handle design manufactured in stainless steel. The K-Duro range includes handles for use with inward opening windows, hinged doors, bifold and lift/slide doors. See right for some examples:



For the full range of Suited Handle Options please see our Suited Handle Range Brochure.

K-VESTA PRODUCT SELECTOR

Name	KWD92 UT+	AA®720 Casement	AA®720 SL Casement	AA®720 Tiltturn	AA®720 Door	AA®3720 Bifold Door	AA®3572 Lift/Slide Door
TBT Handle - Non Locking	■			■			
TBT Handle - Lockable	■			■			
Espagnolette Window Handle Lockable		■	■				
Lift/Slide Handle - Inner Side - with Cylinder							■
Lift/Slide Handle - Outside - with Cylinder							■
Lift/Slide Handle - Inner Side - without Cylinder							■
Lift/Slide Handle - Outside - without Cylinder							■
Internal Door Handle on Short Backplate					■	■	
External Door Handle on Short Backplate						■	
Internal Door Handle					■	■	
External Door Handle						■	
External Door Handle without Cylinder Hole (a=21.5mm)						■	
External Door Handle					■		
Bifold Shootbolt Lever						■	

K-DURO PRODUCT SELECTOR

Name	KWD92 UT+	AA®720 Tiltturn	AA®720 Door	AA®3720 Bifold Door	AA®3572 Lift/Slide Door
Finger Pull					■
Window Handle with Cylinder	■	■			
Window Handle with Spindle 25mm	■	■			
Internal Door Handle			■	■	
External Door Handle				■	
Internal Door Handle			■	■	
External Door Handle				■	
External Door Handle without Cylinder Hole				■	
External Door Handle			■		
Lift/Slide Handle - Inner Side - with Cylinder					■
Lift/Slide Handle - Outside - with Cylinder					■
Lift/Slide Handle - Inner Side - without Cylinder					■
Lift/Slide Handle - Outside - without Cylinder					■

Both K-Vesta and K-Duro door handles incorporate an integrated spring system which returns the handle to its original starting position. The door handles are unhandled with an integral click system allowing them to rotate through 360° in four stages at 90° each. K-Vesta and K-Duro handles are suitable for use on Kawneer PAS 24 certified window and door systems.

KWD92 UT+ INWARD OPENING WINDOW SYSTEM

INTRODUCTION

The KWD92 UT+ Tiltturn Window is Kawneer's next generation premium window suite and offers exceptional weather and thermal performance. Designed to achieve Passive House certified performance and improved fabrication times using the latest hardware innovations, the KWD92 UT+ uses a multi chamber thermal break core and Kawneer's patented reflex technology, which ensures market leading thermal performance as low as 0.8 W/m²K being met without the need for additional foam inserts within the thermal chambers.

The KWD92 UT+ is tested to the latest standards and offers design flexibility and modular approach to ensure complete flexibility of design. The KWD92 UT+ is fully integrated with the Kawneer AA®100 HI Passive House certified curtain wall system and is suitable for installation in low or high-rise buildings for commercial and domestic new build or refurbishment projects. With a capability of up to 180kg and glazing up to 65mm, high performance and/or security glass applications can easily be accommodated without the need for additional reinforcement or fabrication requirements. Preset gaskets will also be available for ease of fabrication.

SUSTAINABILITY

Designed with sustainability in mind the gaskets are made from TPE (thermoplastic elastomers) which offers the opportunity to recycle at the end of the product life. There is also the option to specify our low carbon billet which contains a minimum of 50% post-consumer scrap. Additionally, our full in-house manufacturing capabilities further enhance our sustainability journey, with our BES 6001 accreditation and ability to provide full traceability of the materials we use.

THERMAL

Designed to achieve Passive House certified thermal performance as low as 0.8 W/m²K without the need for additional foam inserts within the thermal chambers.

Examples: Uw 0.69 with TGU (0.5) Ug and Uw 1.0 with DGU (1.0) Ug

SECURITY*

The KWD92 UT+ has been independently tested by notified/ approved bodies to:

- EN 1627 RC2*
- PAS 24

* Does not refer to standard hardware, security hardware required

WEATHERING

Drained and ventilated weathering, independently tested weather performance to:

	Air Permeability to EN 12207	Watertightness to EN 12208	Resistance to Wind to EN 12210
KWD92 UT+	Class 4	Class 9A	Class C5

Tested in line with EN 12046-1 Operation Forces Test Part 1 Windows and EN 12046-2 Test Part 2 Doors.

SUITED HANDLES

A range of suited handles are available for Tiltturn, Turn Before Tilt, Turn Only, Bottom Hung and French Casement.

PRODUCT FEATURES AND BENEFITS

- Acoustic performance in accordance with EN 10140
- Advanced patented thermal break technology
- Pre-set gaskets
- Tilt before turn or turn before tilt
- Turn only
- French casement
- Bottom hung
- Box beads for enhanced security
- Concealed hardware
- Choice of muntins and coupling mullion profiles
- Option for concealed vent
- Suited handles
- KWD92 UT+ specific hardware and accessories
- Option for concealed drainage
- Extensive range of polyester powder coatings
- Extensive range of anodised finishes
- Single and dual colour options available

GLAZING

TPE gaskets and bead glazing arrangement allowing infill thicknesses of 24-65mm to be accommodated.

CONSTRUCTION

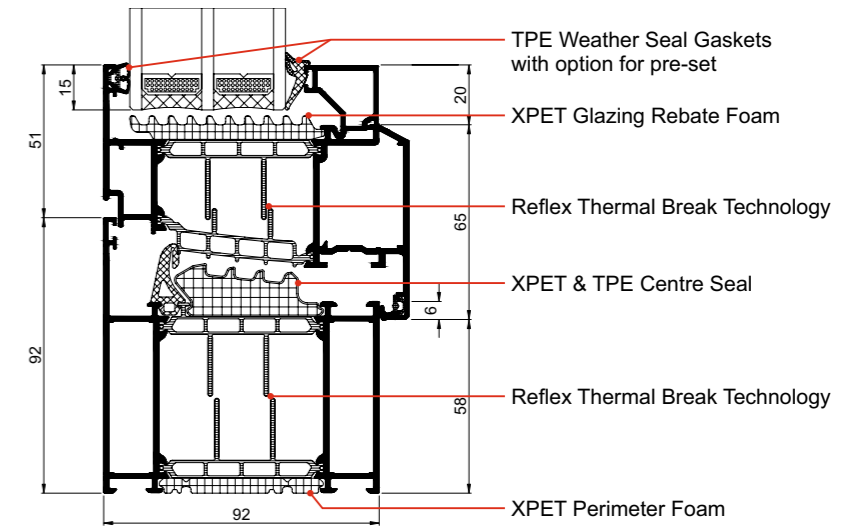
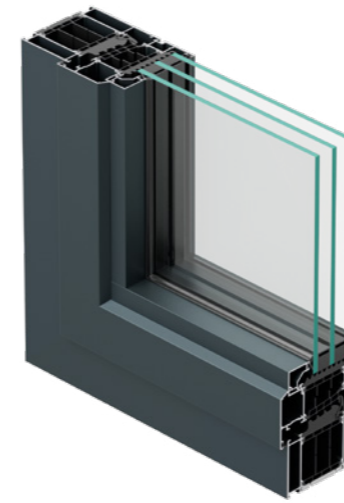
Mechanical corner cleats with a choice of jointing methods to suit individual fabricators.



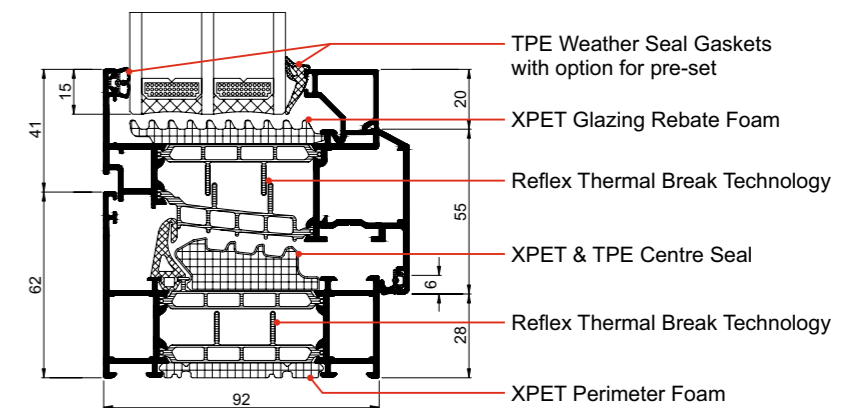
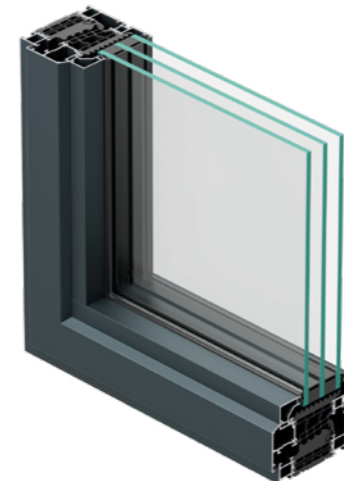
KWD92 UT+ OPTIONS

PASSIVE HOUSE

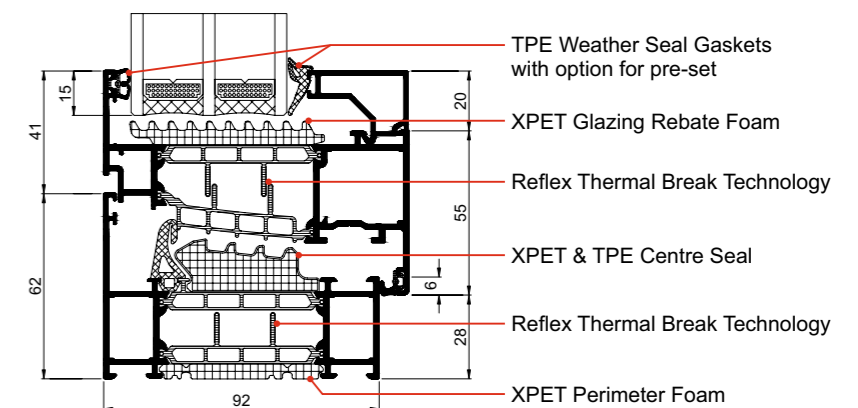
Available in Chamfered/Standard Vent Options



CHAMFERED (FE)



STANDARD (FF)



KWD92 UT+ PRODUCT SELECTOR

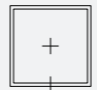
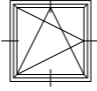



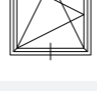
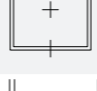


KWD92 UT+	
Performance	
Weather Performance to EN 12207, EN 12208, EN 12210	■
Security to PAS 24	■
Security to EN 1627 RC2	■
UW Double Glazing*	1.0 W/m ² K
UW Triple Glazing*	0.69 W/m ² K
Design Features	
Acoustic Performance in accordance with EN 10140	■
Composite Window	■
Ribbon Window	■
Punched Out Openings	■
Triple Glazing	■
Glazing up to 65mm	■
Multi-Point Locking	■
100mm Restriction	■
Suited Handle Options ‡	■
Box Beads for Security	■
Concealed Hinges	■
PAS 24	■
RC2	■
Tilt before Turn	■
Side Hung Open In	■
Bottom Hung Open In	■
French Casement	■
Dual or Single Colour Option	■
Anodised Option	■
Polyester Powder Paint	■
Maximum Window Sizes**	
Tiltturn (up to 180kg) ●	1635mm(W) x 2835mm(H)
Side Hung (up to 130kg) ●	1635mm(W) x 2835mm(H)
Bottom Hung with Handle on the Jamb (up to 80kg) ●	1635mm(W) x 2835mm(H)
Bottom Hung with Handle at the Head (up to 80kg) ●	2035mm (W) x 1341mm(H)
Applications	
New Build	■
Refurbishment	■
Commercial	■
Residential	■
Education	■

Notes:
 * Window Energy Rating and U-value based on CEN size window (1230mm x 1480mm)
 ‡ For the Suited Handle Options, see pages 6 and 7
 ** Please refer to the manual for profile specific size limitations
 ● Height and Width Limitations vary dependant on glass weights and hardware requirements - please check with the Technical Services Department

KWD92 UT+ INWARD OPENING WINDOW APPLICATIONS

TYPICAL ELEVATIONS

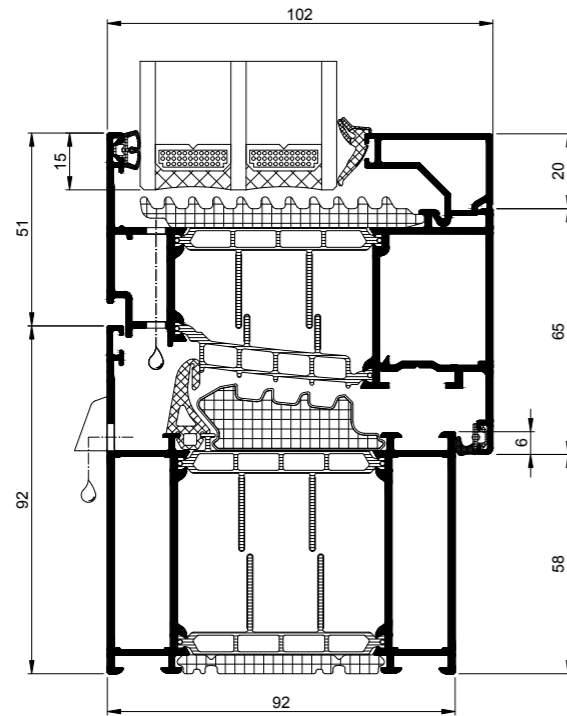
Full details can be downloaded from our website www.kawneer.co.uk

Elevation	Title	Website CAD ref. no.	
		FF - Flush Vent	FE - Flush External Vent
	Fixed Light	CRO-001	CRO-001
	Passive House Fixed Light Head and Jamb Passive House Fixed Light Cill Passive House Vent Cill	CRO-016 CRO-003 CRO-071	CRO-016 CRO-003 CRO-052
	RGA Fixed Light Cill (Inside glazed)	CRO-113	CRO-113
	Mullion	CRO-032	CRO-032
	Coupling Mullion (Coupling Fixing)	CRO-110	CRO-110
	Concealed Vent (Visible Drainage)	CRO-077	
	Concealed Vent Fixed	CRO-004	
	Curtain Wall Cill		CRO-121
	Curtain Wall Cill CV	CRO-124	

KWD92 UT+ INWARD OPENING WINDOW

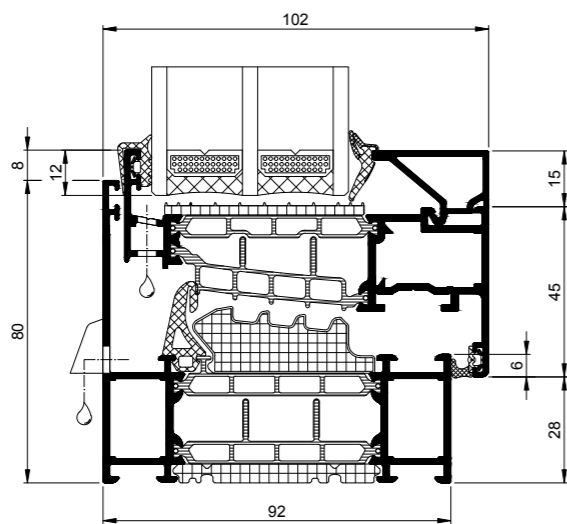
Full details can be downloaded from our website www.kawneer.co.uk

PASSIVE HOUSE STANDARD VENT (FF)



Viewed Externally
CRO-071

CONCEALED VENT

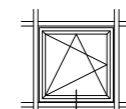
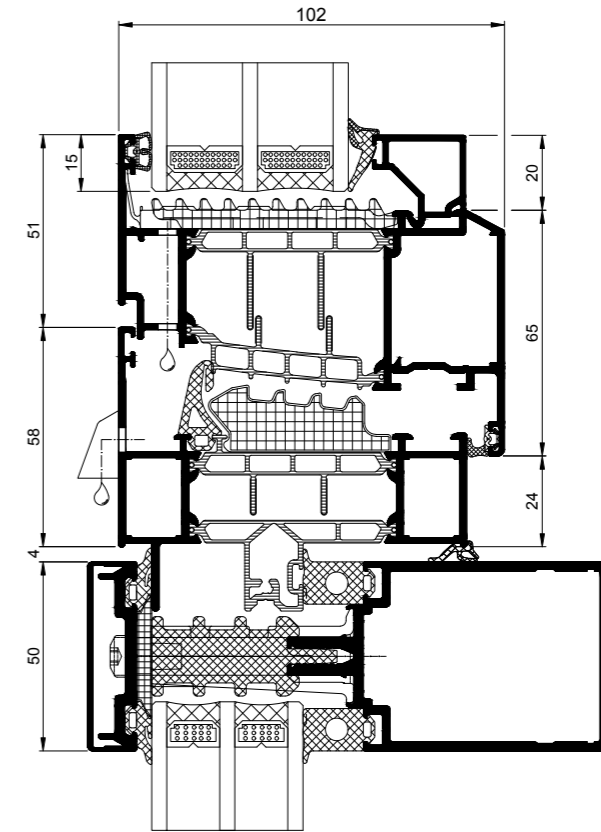


Viewed Externally
CRO-077

KWD92 UT+ INWARD OPENING WINDOW

Full details can be downloaded from our website www.kawneer.co.uk

KWD92 UT+ INTO AA®100 HI CURTAIN WALLING



Curtain Wall
Viewed Externally
CRO-133

AA[®]720 TWO-STAGE OPEN-IN ACCESSIBILITY WINDOW

INTRODUCTION

Specifically designed for high rise Residential applications, but suitable for multiple markets, the AA[®]720 Accessibility Window features a Two-Stage Opening Vent.

It features an operation handle positioned at the bottom of the vent for easy access and control which also meets the Lifetime Homes standard. The vent can be opened in two stages:

- Stage 1 allows the window to open in to 100mm, providing natural ventilation and compliance with Document F
- Stage 2 enables the window to be fully opened in with a key, allowing for thorough cleaning and purge ventilation

The restrictor mechanism automatically re-engages the window when closed for safety.

The AA[®]720 Two-Stage Open-In Accessibility Window was developed to provide flexible accommodation for the lifetime of a building, either home or office. Bringing Lifetime home principles into the design of any building ensures that there is no need to undergo refurbishment, and it reduces the need for home adaptations required to accommodate the changing needs of the inhabitants which also gives greater independence to disabled people.

FEATURES AND BENEFITS

- Complies with Lifestyle home standards ensuring that the accommodation is adaptable throughout the lifetime of the building
- Handle operates from the bottom of the window for easy access and control
- The open-in feature allows for access for cleaning and maintenance
- Open in restriction of 100mm for safety, compliant with HTM 55 regulations and BS 8213 of 100mm initial opening
- Option of Trickle Ventilation - can help meet the requirements of Document F
- Suites with the AA[®]720 Series, AA[®]100/AA[®]110 Curtain Walling, 451PT Framing and Door Systems
- The restrictor mechanism automatically re-engages the window when closed for safety
- Vent opens in two stages, one for ventilation, two for cleaning and maintenance

STANDARDS

- BS 6375 Part 1
- BS 6375 Part 2

SECURITY

Tested to PAS 24 security testing



Window Closed



Window Restricted with 100mm Opening



Window Fully Open to allow for Maintenance and Cleaning

Hale Wharf, London
Architect: Allies and Morrison



AA[®]720 OUTWARD OPENING WINDOW SYSTEMS

INTRODUCTION

The AA[®]720 Series has been developed to meet the latest European requirements for thermal performance.

To enable complete flexibility of design, performance and cost, the AA[®]720 is a modular system providing incremental levels of thermal performance, starting with the highest - AA[®]720 HI Reflex^{Plus}, the AA[®]720 HI Reflex, AA[®]720 HI and AA[®]720 HW.

In addition there is the AA[®]720 SL Slimline Casement which offers narrow sightlines for both contemporary, residential and heritage applications, with a choice of flush or standard sash frames.

The 72mm profiles incorporate the very latest thermal technology including; extruded polyamide and patented thermal breaks, insulated centre seals and foam isolators.

As well as being fully integrated, the range can suite with Kawneer's curtain walling and framing products and is suitable for installation in low or high rise buildings for commercial and domestic new build or refurbishment projects.

A range of suited handles are available for our AA[®]720 and AA[®]720 SL Casement Windows, see pages 6 and 7.

CONSTRUCTION

Crimped or pinned with mechanical corner cleats. Corner braces are also used.

Weathering is achieved by the use of single and dual durometer, EPDM gaskets.

Pressure equalised system.

CONFIGURATIONS

As well as flexibility in performance, the AA[®]720 offers versatility in design with the range encompassing a wide variety of integrated window and door configurations.

Design considerations for the outward opening window range are:

- Top Hung
- Side Hung
- Vertical Pivot (and Offset Pivot)
- Horizontal Pivot
- Parallel Opening

For information on Kawneer's AA[®]720 Series Door Systems please refer to the Door Systems section.

GLAZING

Glazing and panels up to 56mm thickness can be accommodated enabling the use of triple glazing for when there is a requirement for the very highest thermal and acoustic performance.

SECURITY*

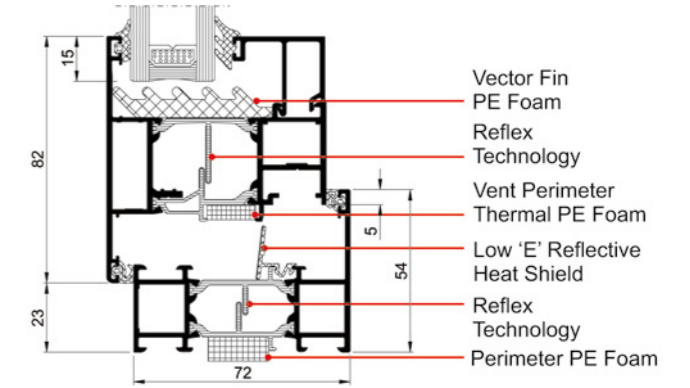
The AA[®]720 and AA[®]720 SL Casements and AA[®]720 Parallel have been independently tested to PAS 24:2016.

* Does not refer to standard hardware, security hardware required.

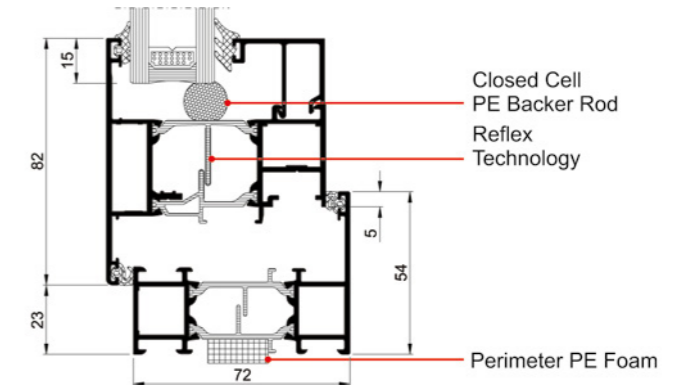
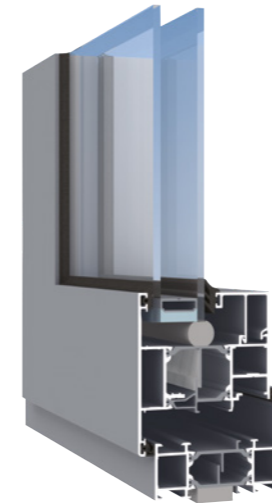


THERMAL PERFORMANCE - OUTWARD OPENING

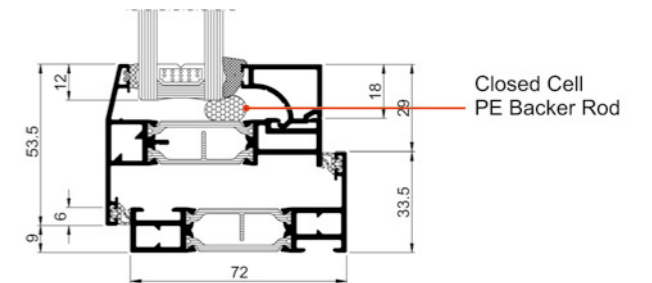
AA[®]720 HI REFLEX^{PLUS} CASEMENT



AA[®]720 HW CASEMENT



AA[®]720 SL CASEMENT



INDEPENDENTLY WEATHER PERFORMANCE TESTED TO BS 6375-1: 2015

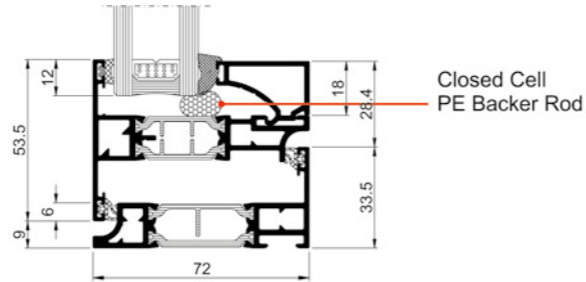
	Air Infiltration BS EN 12207	Watertightness BS EN 12208	Wind Resistance BS EN 12210
AA [®] 720 Casement	Class 3-4 (600 Pa)	Class 9A (600 Pa)	Class E2400 (2400 Pa)
AA [®] 720 SL Casement	Class 3-4 (600 Pa)	Class 9A (600 Pa)	Class E2400 (2400 Pa)
AA [®] 720 Pivot	Class 3-4 (600 Pa)	Class 9A (600 Pa)	Class E2400 (2400 Pa)

All Windows comply with Operation and Strength Test BS 6375 Pt2: 2015

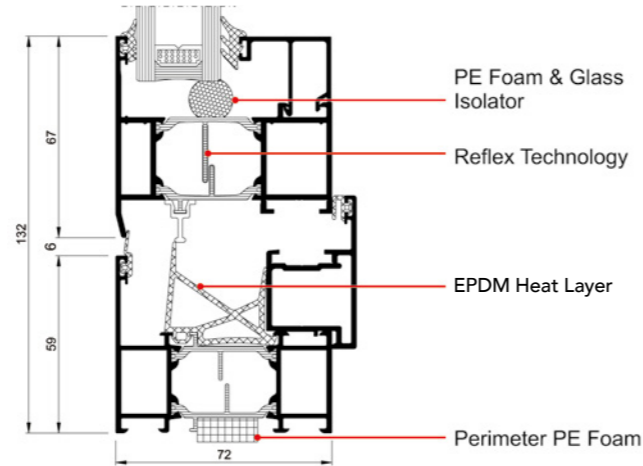
Details of the Kawneer product tests are available from the Technical Services Department at Runcorn.

THERMAL PERFORMANCE - OUTWARD OPENING

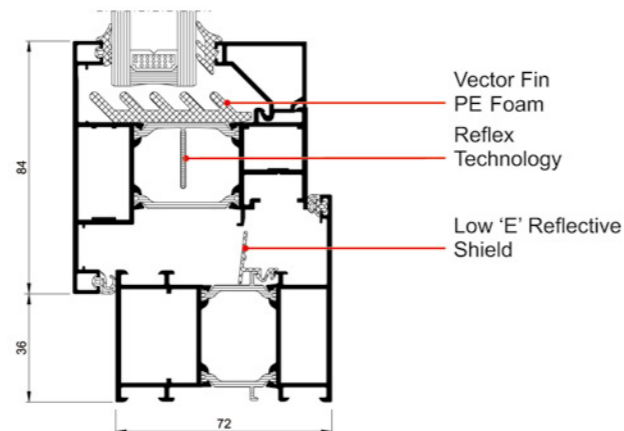
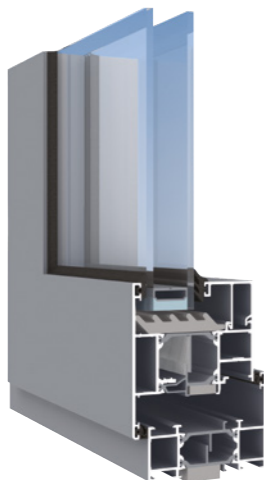
AA®720 SL DOUBLE FLUSH CASEMENT



AA®720 HW PIVOT



AA®720 HI PARALLEL



THERMAL PERFORMANCE

The AA®720 Casement, can be manufactured within 5 levels of thermal performance – providing flexibility in design, performance and cost.

AA®720 HI Reflex^{Plus} – Highest Performance Level – Reflex Technology within the vent and frame profiles, closed cell PE vector fin glazing rebate foam, closed cell vent perimeter foam, closed cell frame perimeter foam insulation tape, low 'e' heat shield centre seal.

AA®720 HI Reflex – Reflex Technology within the vent and frame profiles, closed cell PE vector fin glazing rebate foam, closed cell vent perimeter foam, closed cell frame perimeter foam insulation tape.

AA®720 HI – Reflex Technology within the vent profile, closed cell PE vector fin glazing rebate foam, closed cell vent perimeter foam, closed cell frame perimeter foam insulation tape.

AA®720 HW – Reflex Technology within the vent profile, closed cell PE glazing rebate foam, closed cell frame perimeter foam insulation tape.

AA®720 SL – Standard polyamide thermal break within the vent profile, closed cell PE glazing rebate foam.

THE AA®720 REFLEX TECHNOLOGY

Due to the continued market demands for high performance windows, Kawneer has developed a unique system it can apply to its polyamide thermal breaks to give further thermal improvements to the window, and reduce heat transfer through the profile.

The inclusion of a low emmissivity reflective foil to the thermal 'flags' allows the AA®720 Casement to achieve U-values as low as 1.0 W/m²K for a CEN size window with a warm edge spacer**

ADDITIONAL PRODUCT FEATURES

In addition to the features described, the AA®720 Casement Window offers market leading weight capabilities for a top hung window. With a capability of up to 130kg, high performance acoustic and/or security glass applications can be easily accommodated within the standard window without additional reinforcements or fabrication requirements.

With a choice of locking or non locking handles in a range of finishes, the system can be incorporated effectively in a number of applications.

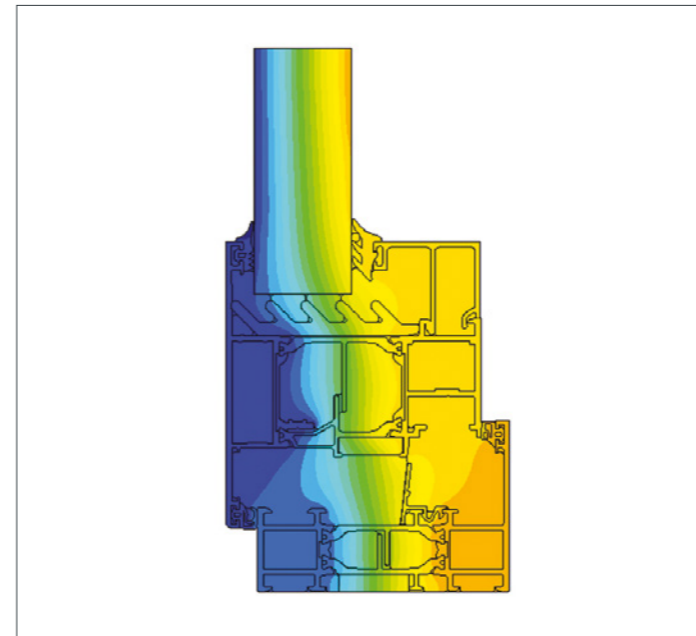
The AA®720 Casement Window has been designed with flexibility and ease of fabrication as key requirements. The system provides the option of internal or external glaze options, to suit a variety of applications. The system incorporates a standard hardware groove, to provide cost effective locking hardware without compromising performance or security.

PERFORMANCE TESTING - SMOKE VENT

The AA®720 open out casement window has been successfully tested to BS EN 12101-2, meeting smoke vent standards that are now a mandatory requirement, especially in high rise residential schemes.

The introduction of the Construction Products Regulations in 2013 has resulted in the need to CE mark any product placed onto the market that has a harmonised European standard.

Vertical options for top, side and bottom hung open out applications are available with a single or twin actuator offering opening widths of up to 900mm to meet required free area requirements.



Thermal Evaluation of the AA®720 HI Reflex^{Plus} Casement Window

	HI Reflex ^{Plus} Casement		HI Reflex Casement		HI Casement		HW Casement		SL Casement	
Glass	1.0 Ug*	0.6 Ug**	1.0 Ug*	0.6 Ug**	1.0 Ug*	0.6 Ug**	1.0 Ug*	0.6 Ug**	1.0 Ug*	0.6 Ug**
Overall Uw	1.3 W/m ² K	1.0 W/m ² K	1.4 W/m ² K	1.1 W/m ² K	1.4 W/m ² K	1.1 W/m ² K	1.5 W/m ² K	1.2 W/m ² K	1.4 W/m ² K	1.1 W/m ² K

Based on a 34mm Outer Frame/34mm Inside Glaze vent Combination

* Window Energy Ratings and U-values based on CEN size windows (1230mm x 1480mm) using 1.0 W/m²K double glazing with warm edge (0.048 W/m²K) spacer.
** U-values based on CEN size windows (1230mm x 1480mm) using 0.6 W/m²K triple glazing with warm edge (0.043 W/m²K) spacer.

AA[®]720 STANDARD CASEMENT WINDOW

INTRODUCTION

The AA[®]720 Casement Window is part of the AA[®]720 range of Windows and Doors. In line with the existing range, the AA[®]720 Casement is available in a range of increasing levels of thermal performance – incorporating Kawneer’s latest Reflex unique thermal break technology.

The AA[®]720 Casement Windows are available as top hung or side hung windows and can be either internally or externally glazed. Additional advantages of the advanced thermal break technology include the options of dual colour finishes, to provide design flexibility in various applications.

PRODUCT FEATURES AND BENEFITS

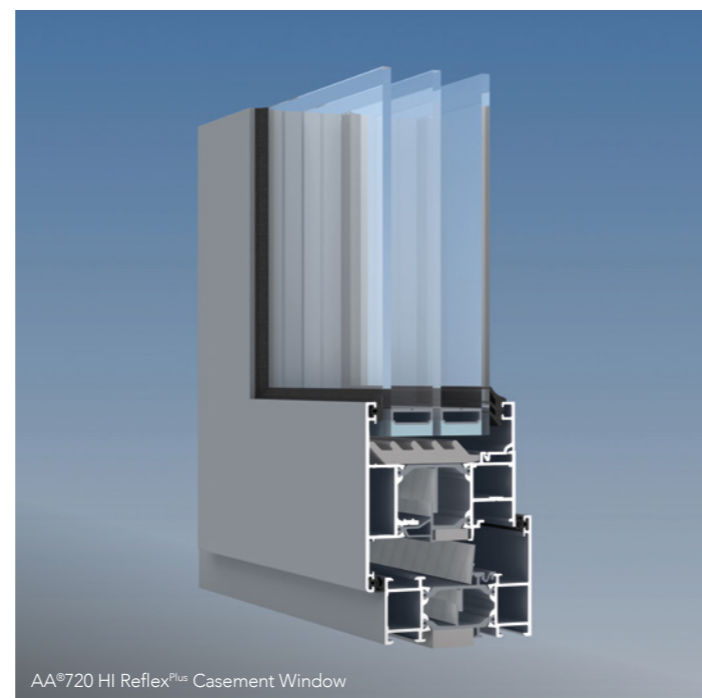
- BRE Green Guide ‘A’ Rated Frame* for projects that require sustainable and environmental advantages
- Range of locking options available - for flexibility. Choose from standard Espagnolette locking to enhanced security in line with PAS 24:2016
- Option of Trickle Ventilation - can help meet the requirements of Document F
- Projected top hung or side hung or butt hinge options - total flexibility, suits most casement project applications
- Suites with the AA[®]720 series, AA[®]100/AA[®]110 Curtain Walling, 451PT Framing and Door Systems
- Offset handle position for side hung windows. Safety in use – suitable for ‘Lifetime Homes’ Specification
- Choice of restrictors available to 100mm. Design flexibility. Compliant with the HTM 55 regulations and BS 8213 of 100mm initial opening
- Folding Openers with Link Bars offer safety in use
- Maximum size 2300mm(W) x 2500mm(H) - suitable in even the most demanding of applications
- Suited hardware - compatible hardware to compliment the AA[®]720 and AA[®]3720 ranges
- Outside glaze option (not PAS 24 compliant)
- Suited Handle Options available, see pages 6 and 7

* Corresponds to the BRE Global Green Guide online generic specification for windows and achieves a summary rating of A for non-domestic schemes. www.thegreenguide.org.uk Element Number 1231500007

SECURITY**

The AA[®]720 Casement Window has been independently tested to PAS 24:2016.

** Does not refer to standard hardware, security hardware required.



CASEMENT PRODUCT SELECTOR

	AA [®] 720 Casement*	AA [®] 720 SL Casement
Performance		
Weather Performance (BS 6375)	■	■
Security to PAS 24:2016	■	■
Uw (Double Glazing)	1.5 W/m ² K	1.6 W/m ² K
Uw (Double Glazing with warm edge spacer)**	1.3 W/m ² K	1.4 W/m ² K
Uw (Triple Glazing)	1.2 W/m ² K	1.2 W/m ² K
Uw (Triple Glazing with warm edge spacer)***	1.0 W/m ² K	1.1 W/m ² K
Special Features		
BRE Green Guide Rating ^o	A	A
Design Features		
Dual Colour Option	■	■
Composite Windows	■	■
Ribbon Windows	■	■
Punched Out Openings	■	■
Triple Glazing	■	■
Infills:	up to 56mm	up to 42mm
Standard Hardware Groove	■	■
Multi-Point / Single Sided Locking Options	■	■
100mm Restriction	■	■
Trickle Ventilation	■	■
Locking Handles	■	■
Folding Openers	■	■
Cockspur Handle	■	■
Espagnolette Handle	■	■
Friction Hinges	■	■
Butt Hinges	■	■
Variable Angle Corner Post		■
Suited Handle Options‡	■	■
System Depth		
72mm	■	■
Maximum Window Sizes ● Up To		
Projected Top Hung ●	2300mm(W) x 2500mm(H)	1500mm(W) x 1500mm(H)
Projected Side Hung ●	845mm(W) x 1900mm(H)	900mm(W) x 1500mm(H)
Top Hung with Butt Hinges ●	1800mm(W) x 1600mm(H)	
Side Hung with Butt Hinges ●	900mm(W) x 1900mm(H)	
Applications		
New Build	■	■
Refurbishment	■	■

Notes:

* Based on the AA[®]720 HI Reflex^{Plus}

** Window Energy Ratings and U-values based on CEN size windows (1230mm x 1480mm) using 1.0 W/m²K double glazing with warm edge (0.048 W/m²K) spacer.

*** U-values based on CEN size windows (1230mm x 1480mm) using 0.6 W/m²K triple glazing with warm edge (0.043 W/m²K) spacer.

● Height and Width Limitations vary dependant on glass weights and hardware requirements – please check with the Technical Services Department
 ○ Corresponds to the BRE Global Green Guide online generic specification for windows and achieves a summary rating of A for non domestic schemes. www.thegreenguide.org.uk Element Number 1231500007 (A)

‡ For the Suited Handle Options, see pages 6 and 7

AA[®]720 STANDARD CASEMENT WINDOW APPLICATIONS

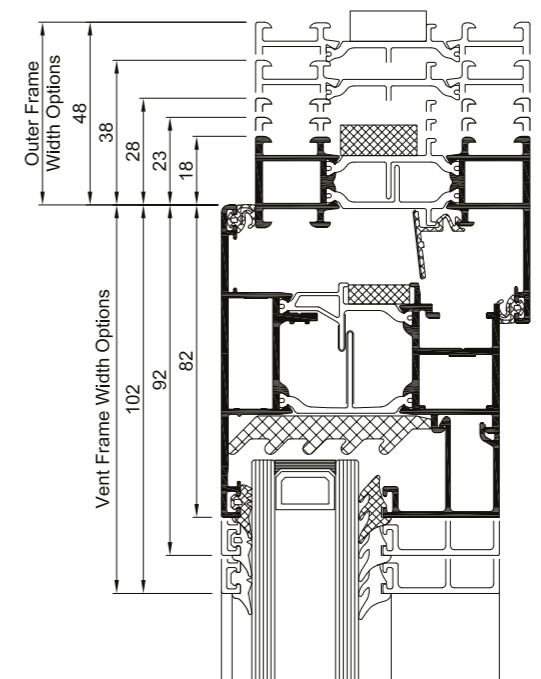
TYPICAL ELEVATIONS

Full details can be downloaded from our website www.kawneer.co.uk

Elevation	Title	Website CAD ref. no.			
		AA [®] 720 HI Reflex ^{Plus}	AA [®] 720 HI Reflex	AA [®] 720 HI	AA [®] 720 HW
	1, 2, 3, 4 Fixed Light Head and Cill (inside glazed) Fixed Light Jamb (inside glazed)	H24-3 H24-4	H4-3 H4-4	H4-3 H4-4	H4-53 H4-54
	5, 6, 7, 8 Fixed Light Head and Cill (outside glazed) Fixed Light Jamb (outside glazed)	H24-5 H24-6	H4-5 H4-6	H4-5 H4-6	H4-55 H4-56
	9 Casement/Fixed Light Muntin	H24-9	H4-9	H4-9	H4-59
	10 Casement Curtain Wall Insert - Head	H24-7 & H24-8	H4-7 & H4-8	H4-7 & H4-8	H4-57 & H4-58
	11 90° Corner (Casement/Fixed Light)	H24-10	H4-10	H4-10	H4-60
	12 135° Corner (Casement/Fixed Light)	H24-11	H4-11	H4-11	H4-61
	13 Coupling Mullion	H24-12	H4-12	H4-12	H4-62
	14, 15 Casement Jamb Detail (inside glazed vent)	H24-13	H4-13	H4-13	H4-63
	16, 17 Casement Head and Cill Detail (inside glazed vent)	H24-13	H4-13	H4-13	H4-63
	18, 19 Casement Jamb Detail (outside glazed vent)	H24-14	H4-14	H4-14	H4-64
	20, 21 Casement Head and Cill Detail (outside glazed vent)	H24-14	H4-14	H4-14	H4-64
	22 Casement/Fixed Light Muntin (outside glazed vent)	H24-15	H4-15	H4-15	H4-65

Elevation	Title	Website CAD ref. no.			
		AA [®] 720 HI Reflex ^{Plus}	AA [®] 720 HI Reflex	AA [®] 720 HI	AA [®] 720 HW
	23 Casement/Casement Muntin (inside glazed vent)	H24-16	H4-16	H4-16	H4-66
	24 Horizontal Coupling	H24-17	H4-17	H4-17	H4-67
	25 Casement/Fixed Light (reverse glazing adaptor) 26, 27 Fixed Light Head & Jamb (reverse glazing adaptor)	H24-18 H24-19	H4-18 H4-19	H4-18 H4-19	H4-68 H4-69
	28 Casement/Fixed Light (reverse vent adaptor)	H24-20	H4-20	H4-20	H4-70
	29 Through Frame Trickle Ventilation	H24-21	H4-21	H4-21	H4-71
	30 Casement Cill Detail 31 Casement Cill Detail (alternative)	H24-23 H24-24	H4-23 H4-24	H4-23 H4-24	H4-73 H4-74

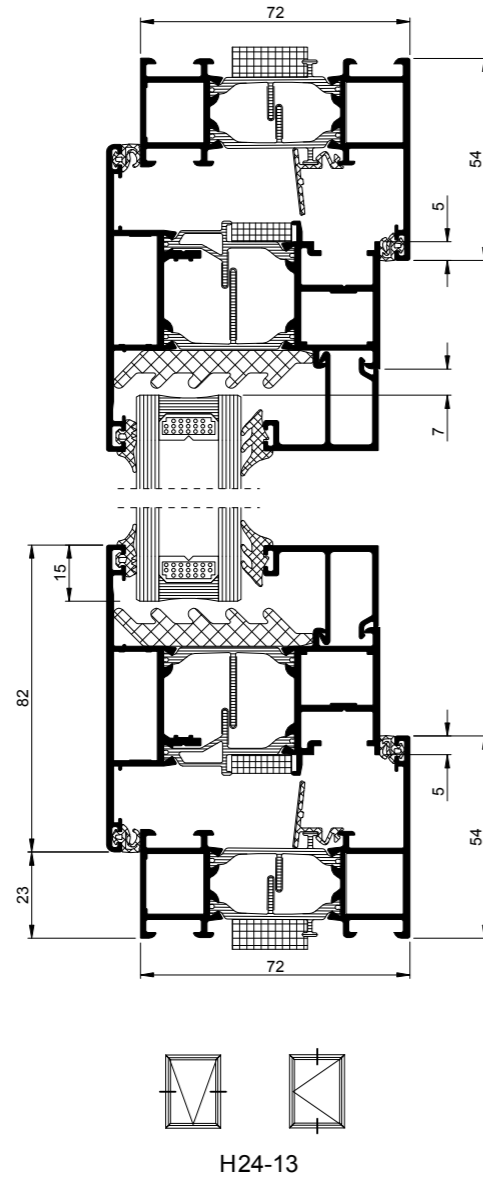
FRAME AND VENT SIZE OPTIONS



AA[®]720 STANDARD CASEMENT WINDOW

Full details can be downloaded from our website www.kawneer.co.uk

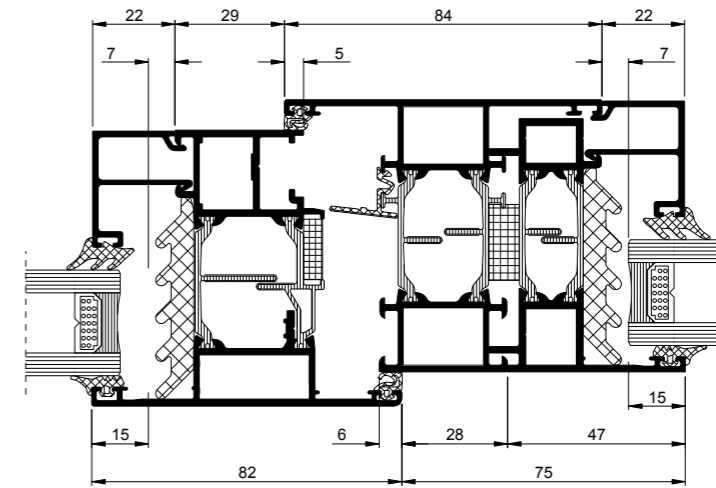
AA[®]720 HI REFLEX^{PLUS} Head & Cill Detail



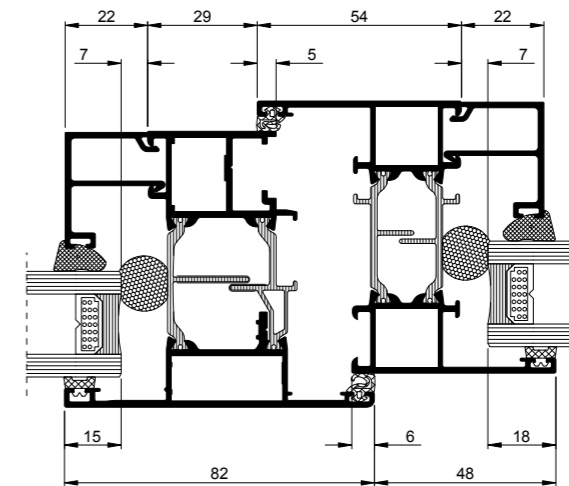
AA[®]720 STANDARD CASEMENT WINDOW

Full details can be downloaded from our website www.kawneer.co.uk

AA[®]720 HI REFLEX^{PLUS} Vent/Fixed Light Muntin Detail



AA[®]720 HI REFLEX^{PLUS} Vent/Fixed Light Z-Muntin Detail



AA[®]720 SL SLIMLINE CASEMENT WINDOW

INTRODUCTION

The AA[®]720 SL Slimline Casement Window is part of the AA[®]720 range of Windows and Doors. It is an open-out window designed with narrow frame sightlines to achieve a modern aesthetic look, providing optimum weather and thermal performance. The AA[®]720 SL Slimline Casement Window is available in two styles:

AA[®]720 SL STANDARD

The Standard option, with overlapped vent, offers a more conventional window design with slim elegant frame sections. It is a cost effective and robust solution specifically designed for the Education sector.

AA[®]720 SL DOUBLE FLUSH

The Double Flush option is a contemporary flush vent with a unique double flush external and internal aesthetic, carrying the slimline look from the outside to the inside of the building. It has been specifically designed for the Home Improvement sector.

The AA[®]720 SL is available as a top hung or side hung window and the use of a polyamide thermal break offers single or dual colour options.

The AA[®]720 SL uses a multi-chamber thermal break core, ensuring thermal efficiency and full compliance with Document L.

The AA[®]720 SL has been fully tested to achieve PAS 24:2016 enhanced security certification. Internal glazing for both vents and fixed lights is more cost effectively achieved without the use of reverse glazing adaptors.

PRODUCT FEATURES AND BENEFITS

- BRE Green Guide 'A' Rated Frame* for projects that require sustainable and environmental advantages
- The double flush casement with flush frames both externally and internally carry the sleek contemporary aesthetic through to the inside of the building
- Ultra slim sightlines maximise the glazing vision area while also providing a superior, modern look to any window
- Featuring high-performance thermal break insulating technology
- Insulated glazing options, including triple glazing, offer exceptional comfort and economy in any size home
- Outward opening side hung windows available with easy-clean egress hinges enabling simple and practical window maintenance
- The various high performance cill options and corner posts for bays and conservatories suit virtually any configuration
- Espagnolette locking to the casement offers complete peace of mind against opportunist break-ins and have been tested to PAS 24:2016 enhanced security standard

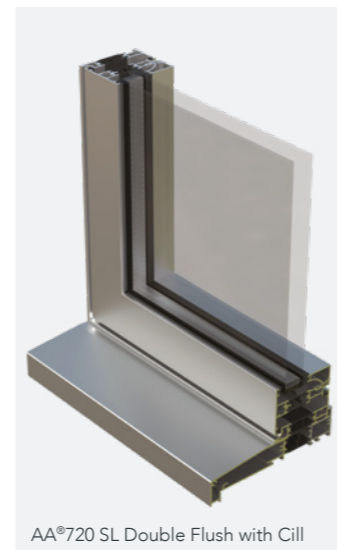
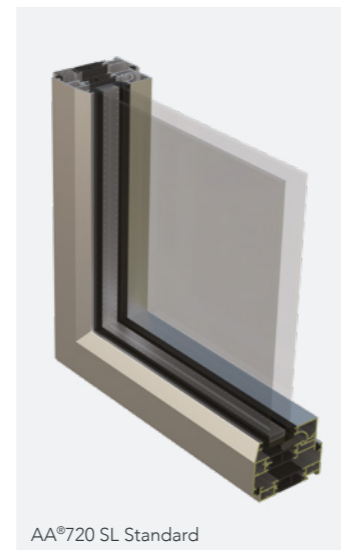
- Suites with the AA[®]720 series, AA[®]100/AA[®]110 Curtain Walling, 451PT Framing and Door Systems
- Option of Trickle Ventilation - can help meet the requirements of Document F
- Accommodates glazing up to 42mm
- Choice of restrictors available to 100mm
- Top Hung maximum size up to 1500mm(W) and 1500mm(H)
- Side Hung maximum size up to 900mm(W) and 1500mm(H)
- Suited hardware - compatible hardware to compliment the AA[®]720
- Box beads for enhanced security
- Drained and ventilated weathering
- Choice of muntins and coupling mullions
- Suited Handle Options available, see pages 6 and 7

* Corresponds to the BRE Global Green Guide online generic specification for windows and achieves a summary rating of A for non-domestic schemes. www.thegreenguide.org.uk Element Number 1231500007

SECURITY**

The AA[®]720 SL Casement Window has been independently tested to PAS 24:2016.

** Does not refer to standard hardware, security hardware required.



CASEMENT PRODUCT SELECTOR

	AA [®] 720 Casement*	AA [®] 720 SL Casement
Performance		
Weather Performance (BS 6375)	■	■
Security to PAS 24:2016	■	■
Uw (Double Glazing)	1.5 W/m ² K	1.6 W/m ² K
Uw (Double Glazing with warm edge spacer)**	1.3 W/m ² K	1.4 W/m ² K
Uw (Triple Glazing)	1.2 W/m ² K	1.2 W/m ² K
Uw (Triple Glazing with warm edge spacer)***	1.0 W/m ² K	1.1 W/m ² K
Special Features		
BRE Green Guide Rating ^o	A	A
Design Features		
Dual Colour Option	■	■
Composite Windows	■	■
Ribbon Windows	■	■
Punched Out Openings	■	■
Triple Glazing	■	■
Infills:	up to 56mm	up to 42mm
Standard Hardware Groove	■	■
Multi-Point / Single Sided Locking Options	■	■
100mm Restriction	■	■
Trickle Ventilation	■	■
Locking Handles	■	■
Folding Openers	■	■
Cockspur Handle	■	■
Espagnolette Handle	■	■
Friction Hinges	■	■
Butt Hinges	■	■
Variable Angle Corner Post		■
Suited Handle Options‡	■	■
System Depth		
72mm	■	■
Maximum Window Sizes ● Up To		
Projected Top Hung ●	2300mm(W) x 2500mm(H)	1500mm(W) x 1500mm(H)
Projected Side Hung ●	845mm(W) x 1900mm(H)	900mm(W) x 1500mm(H)
Top Hung with Butt Hinges ●	1800mm(W) x 1600mm(H)	
Side Hung with Butt Hinges ●	900mm(W) x 1900mm(H)	
Applications		
New Build	■	■
Refurbishment	■	■

Notes:

* Based on the AA[®]720 HI Reflex^{Plus}

** Window Energy Ratings and U-values based on CEN size windows (1230mm x 1480mm) using 1.0 W/m²K double glazing with warm edge (0.048 W/m²K) spacer.

*** U-values based on CEN size windows (1230mm x 1480mm) using 0.6 W/m²K triple glazing with warm edge (0.043 W/m²K) spacer.

● Height and Width Limitations vary dependant on glass weights and hardware requirements – please check with the Technical Services Department
 o Corresponds to the BRE Global Green Guide online generic specification for windows and achieves a summary rating of A for non domestic schemes. www.thegreenguide.org.uk Element Number 1231500007 (A)

‡ For the Suited Handle Options, see pages 6 and 7

AA®720 SL SLIMLINE CASEMENT WINDOW APPLICATIONS

TYPICAL ELEVATIONS

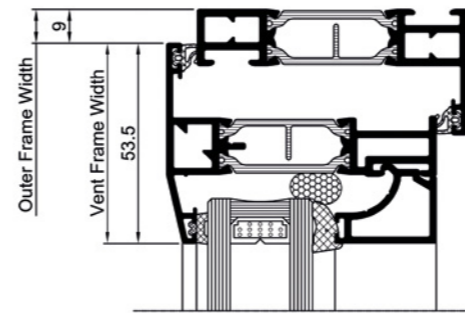
Full details can be downloaded from our website www.kawneer.co.uk

Elevation	Title	Website CAD ref. no.	
		AA®720 SL Standard	AA®720 SL Double Flush
	1, 2, 3, 4 Fixed Light Head and Cill (inside glazed) Fixed Light Jamb (inside glazed)	PMH-003 PMH-003	PMH-003 PMH-003
	5, 6, 7, 8 Fixed Light Head and Cill (outside glazed) Fixed Light Jamb (outside glazed)	PMH-004 PMH-004	PMH-004 PMH-004
	9 Casement/Fixed Light Muntin	PMH-006	PMH-005
	10 Casement Curtain Wall Insert - Head	PMH-006	PMH-005
	11 90° Corner (Casement/Fixed Light)	PMH-008	PMH-007
	12 135° Corner (Casement/Fixed Light)	PMH-010	PMH-009
	13 Variable Corner (Casement/Fixed Light)	PMH-012	PMH-011
	14 Muntin (Cleated Fixing) Muntin (Screw Spline Fixing)	PMH-013 PMH-031	PMH-013 PMH-031
	15 Coupling Mullion	PMH-014	PMH-014
	16 Horizontal Coupling Mullion	PMH-018	PMH-018
	17 Casement Jamb Detail	PMH-024	PMH-023
	18, 19 Casement Head and Cill Detail	PMH-022	PMH-021

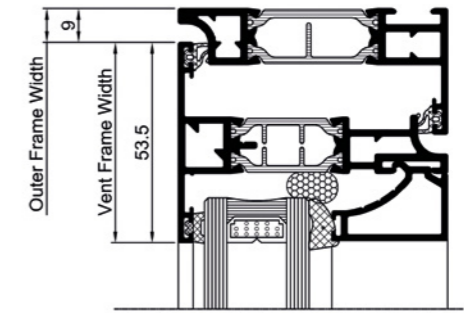
Elevation	Title	Website CAD ref. no.	
		AA®720 SL Standard	AA®720 SL Double Flush
	20 Casement/Fixed Light Muntin (internal glazing)	PMH-036	PMH-035
	21 Casement/Fixed Light Muntin (outside glazed fixed light)	PMH-037	
	22 Casement/Casement Muntin	PMH-034	PMH-033
	23 Casement/Casement Muntin	PMH-045	PMH-046
	24 Horizontal Coupling		PMH-038
	25 Casement/Casement Muntin (Cruciform window configuration)	PMH-028	PMH-027
	26 Casement/Fixed Light Muntin (Cruciform window configuration)	PMH-030	PMH-029
	27 Fixed Light/Fixed Light Muntin (Cruciform window configuration)	PMH-031	PMH-031
	28 Casement/Fixed Light (internal glazing)	PMH-026	PMH-025
	29 Through Frame Trickle Ventilation	PMH-019	PMH-020
	30 Casement Cill Detail 31 Casement Cill Detail (alternative)	PMH-040 PMH-043	PMH-040 PMH-043

FRAME SIZE OPTIONS

AA®720 SL Standard



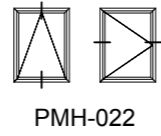
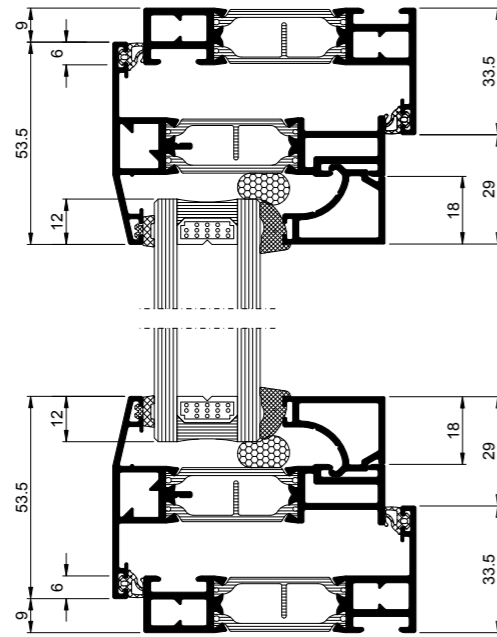
AA®720 SL Double Flush



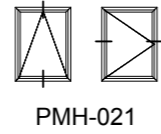
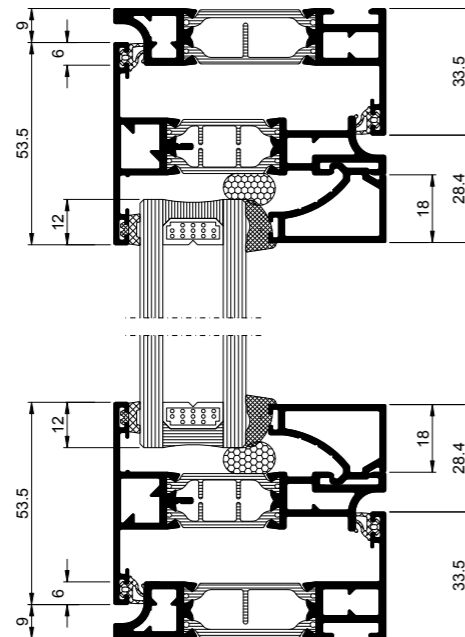
AA[®]720 SL SLIMLINE CASEMENT WINDOW

Full details can be downloaded from our website www.kawneer.co.uk

AA[®]720 SL STANDARD Head & Cill Detail



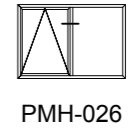
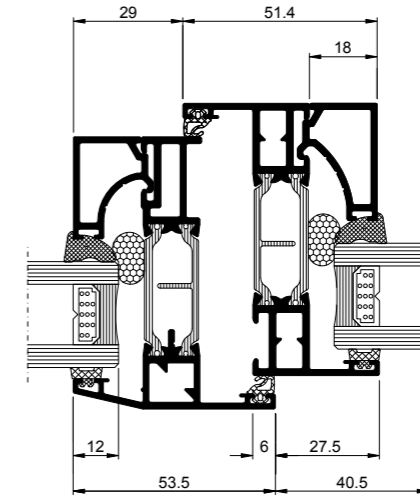
AA[®]720 SL DOUBLE FLUSH Head & Cill Detail



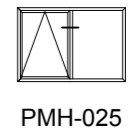
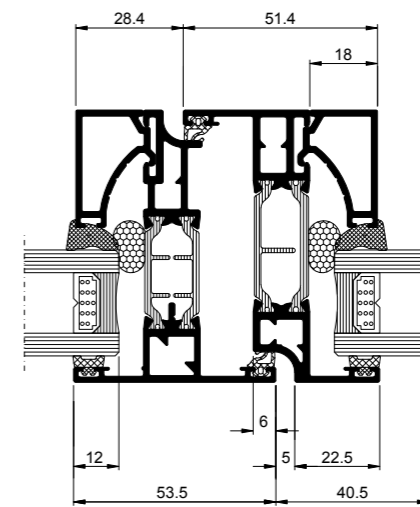
AA[®]720 SL SLIMLINE CASEMENT WINDOW

Full details can be downloaded from our website www.kawneer.co.uk

AA[®]720 SL STANDARD Vent/Fixed Light Z-Muntin Detail



AA[®]720 SL DOUBLE FLUSH Vent/Fixed Light Z-Muntin Detail



AA[®]720 PIVOT WINDOW

INTRODUCTION

The AA[®]720 Pivot Window is part of the AA[®]720 range of Windows and Doors. In line with the existing range, the AA[®]720 Pivot offers excellent weather and thermal performance incorporating Reflex technology and foam rod.

As you would expect AA[®]720 Pivot Window is available for both horizontal and vertical pivot applications as well as vertical offset pivot, which makes it the ideal choice where natural ventilation is required.

PRODUCT FEATURES AND BENEFITS

- BRE Green Guide 'A' Rated Frame* for projects that require sustainable and environmental advantages
- Horizontal and vertical pivot options available resulting in continuous air flow to aid compliance with Document F
- Standard bead, Box bead and Softline bead (Softline beads are mitred and secured with retaining clips)
- Thermal performance U_f from 1.8 W/m²K
- Range of standard and coloured anodised finishes
- Trickle ventilation option available to help meet the requirements of Document F
- Multi-point locking for added security and added safety in operation
- An integral automatic restrictor for restricted and non restricted pivots:
 - Manual Locking/Unlocking with special Allen Key
 - Automatic Re-engagement
 - Manual Disengagement
- The pivot housing is exclusively designed for Kawneer in order to suite the extrusion profile thus enhancing aesthetic and performance characteristics
- Accommodates glazing up to 56mm including triple glazing
- Suites with AA[®]720 series, AA[®]100/AA[®]110 Curtain Walling, 451PT Framing and Door Systems

* Corresponds to the BRE Global Green Guide online generic specification for windows and achieves a summary rating of A for non-domestic schemes. www.thegreenguide.org.uk Element Number 1231500007

VENT SIZE LIMITATIONS

All dimensions stated are in millimetres.
All dimensions stated are vent sizes.
Dimensions stated are General System Limitations.

Vent profile and hardware options are chosen depending upon size and glass weight.

HORIZONTAL PIVOT

- Maximum weight 150kg
- Width up to 1900mm
- Height up to 1900mm

VERTICAL PIVOT - CENTRAL

- Maximum weight 110kg
- Width up to 1900mm
- Height up to 1900mm

VERTICAL PIVOT - OFFSET

- Maximum weight 110kg
- Minimum Dimensions Pivot Centre 350mm Wide (Open In Portion) x 500mm High
- Maximum Dimensions Pivot Centre **950mm Wide (Open Out Portion) x 1900mm High

** Maximum Size Pivot Centre 950mm wide applies to Heavy Duty Profile 3001 877.

For further information on vent profile options please refer to Section B of the AA[®]720 Product Manual.



AA[®]720 Horizontal Pivot Window

PIVOT PRODUCT SELECTOR

AA [®] 720 Pivot	
Performance	
Weather Performance (BS 6375)	■
Uw (Double Glazing)	1.6 W/m ² K
Uw (Double Glazing with warm edge spacer)*	1.5 W/m ² K
Uw (Triple Glazing)	1.3 W/m ² K
Uw (Triple Glazing with warm edge spacer)**	1.2 W/m ² K
Special Feature	
BRE Green Guide Rating ^o	A
Design Features	
Dual Colour Option	■
Composite Windows	■
Ribbon Windows	■
Punched Out Openings	■
Triple Glazing	■
Infills	up to 56mm
Multi-Point / Single Sided Locking Options	■
Storm Catches	■
Up to 100mm Restriction	■
Trickle Ventilation	■
Locking Handles	■
Cockspur Handle	■
Espagnolette Handle	■
10° Restriction	■
15° Restriction	■
System Depth	
72mm	■
Maximum Window Sizes ●	
Height ●	1900mm
Width ●	1900mm
Applications	
New Build	■
Refurbishment	■

Notes:

* Window Energy Ratings and U-values based on CEN size windows (1230mm x 1480mm) using 1.0 W/m²K double glazing with warm edge (0.048 W/m²K) spacer.

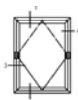
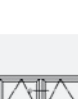

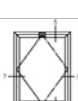

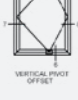



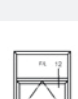

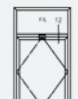





** U-values based on CEN size windows (1230mm x 1480mm) using 0.6 W/m²K triple glazing with warm edge (0.043 W/m²K) spacer.

● Height and Width Limitations vary dependant on glass weights and hardware requirements – please check with the Technical Services Department
o Corresponds to the BRE Global Green Guide online generic specification for windows and achieves a summary rating of A for non domestic schemes. www.thegreenguide.org.uk Element Number 1231500007 (A)

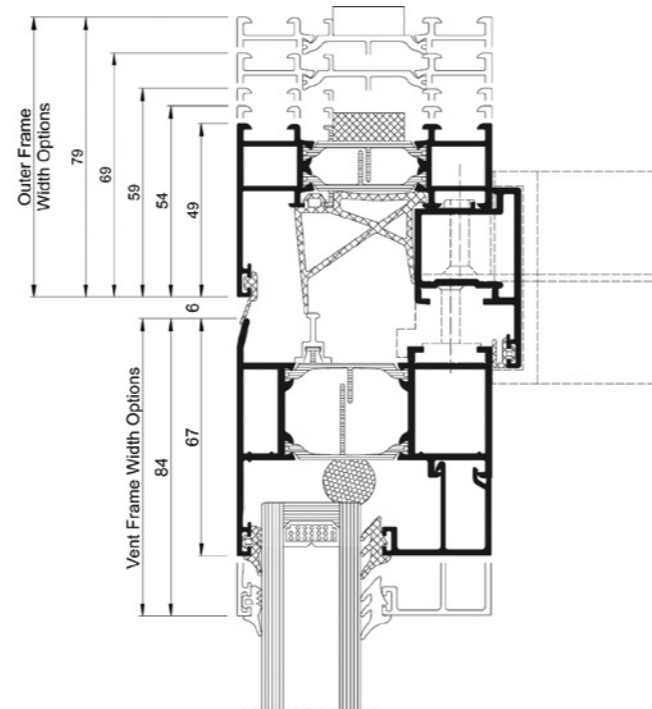
AA[®]720 PIVOT WINDOW APPLICATIONS

TYPICAL ELEVATIONS

Full details can be downloaded from our website www.kawneer.co.uk

Elevation	Title	Website CAD ref. no.
	1 Horizontal Pivot Head	H5-11, H5-12
	2 Horizontal Pivot Cill	H5-13
	3 Horizontal Pivot - Jamb (below Pivot)	H5-14
	4 Horizontal Pivot - Jamb (above Pivot)	H5-15
	9 Horizontal Pivot/Horizontal Pivot Muntin	H5-20
	5 Vertical Pivot - Head	H5-16
	6 Vertical Pivot - Cill	H5-17
	7 Vertical Pivot - Jamb (handle side)	H5-18
	8 Vertical Pivot - Jamb (open-in side)	H5-19
	5 Offset Vertical Pivot - Head	H5-16
	6 Offset Vertical Pivot - Cill	H5-17
	7 Offset Vertical Pivot - Jamb (handle side)	H5-18
	8 Offset Vertical Pivot - Jamb (open-in side)	H5-19
	11 Pivot Window - Vent Muntin	H5-22
	10 Pivot Insert into Curtain Wall	H5-21
	12 Horizontal Pivot - Transom Head Detail	H5-23
	12 Vertical Pivot - Transom Head Detail	H5-23
	12 Horizontal Pivot - Transom Cill Detail	H5-24

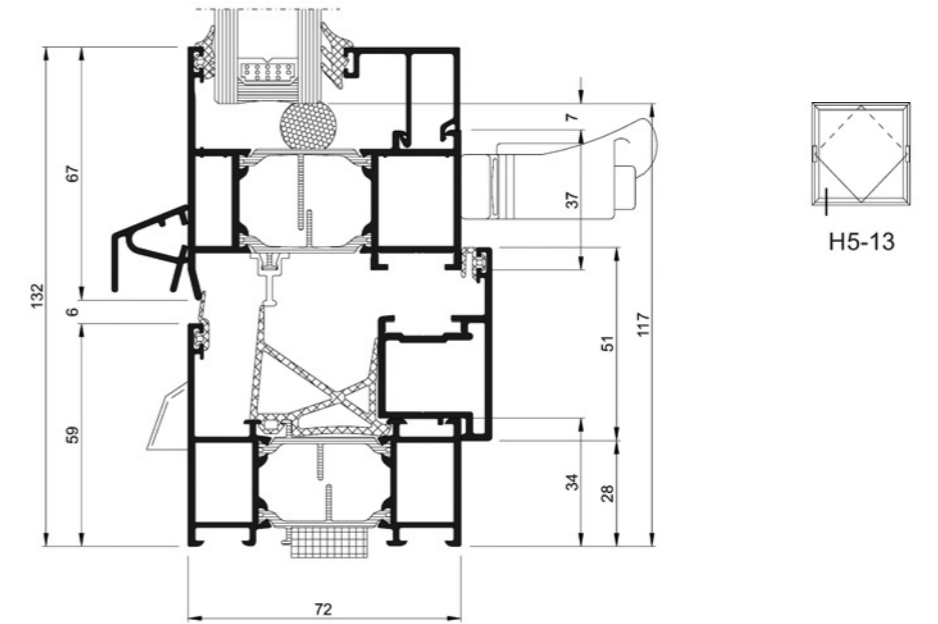
FRAME AND VENT SIZE OPTIONS



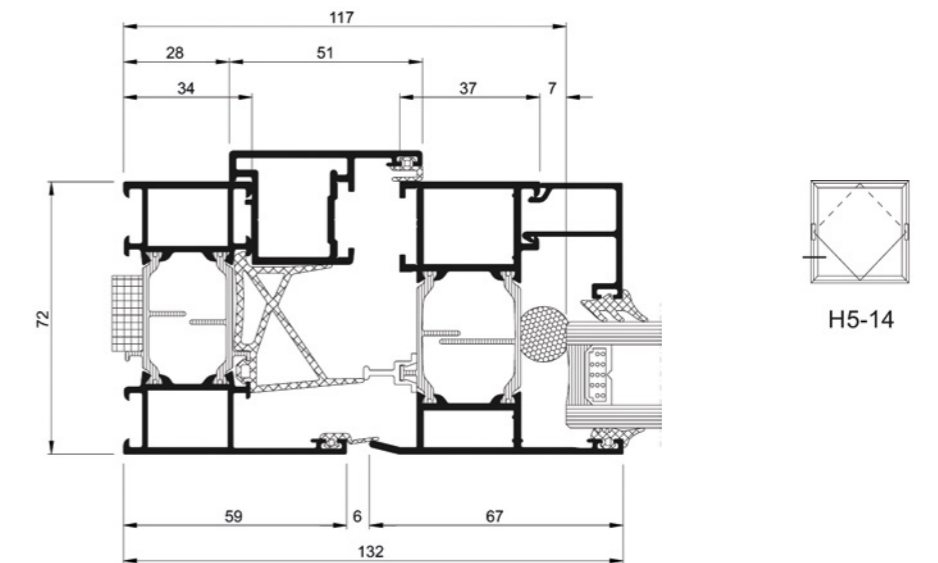
AA[®]720 HORIZONTAL PIVOT WINDOW

Full details can be downloaded from our website www.kawneer.co.uk

CILL DETAIL



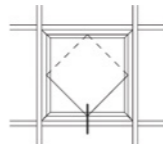
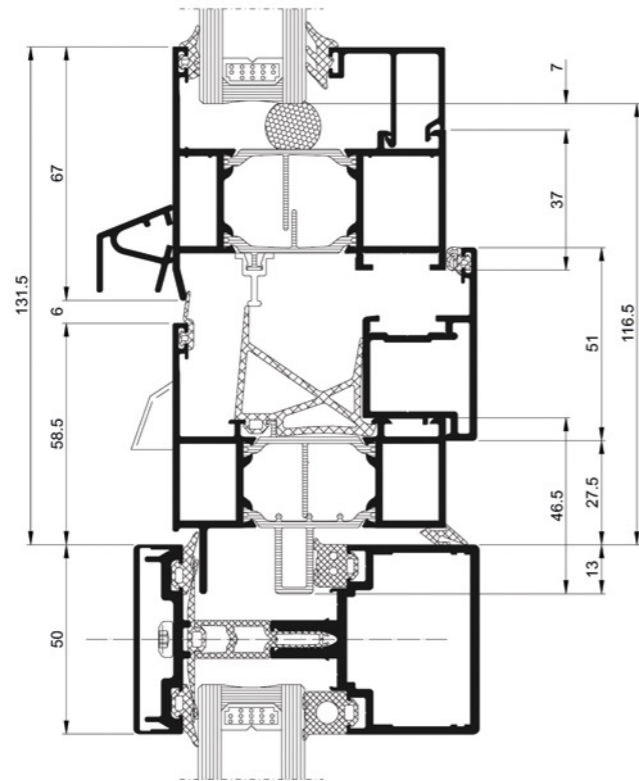
JAMB DETAIL



AA[®]720 HORIZONTAL PIVOT WINDOW

Full details can be downloaded from our website www.kawneer.co.uk

PIVOT INTO CURTAIN WALL

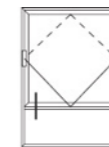
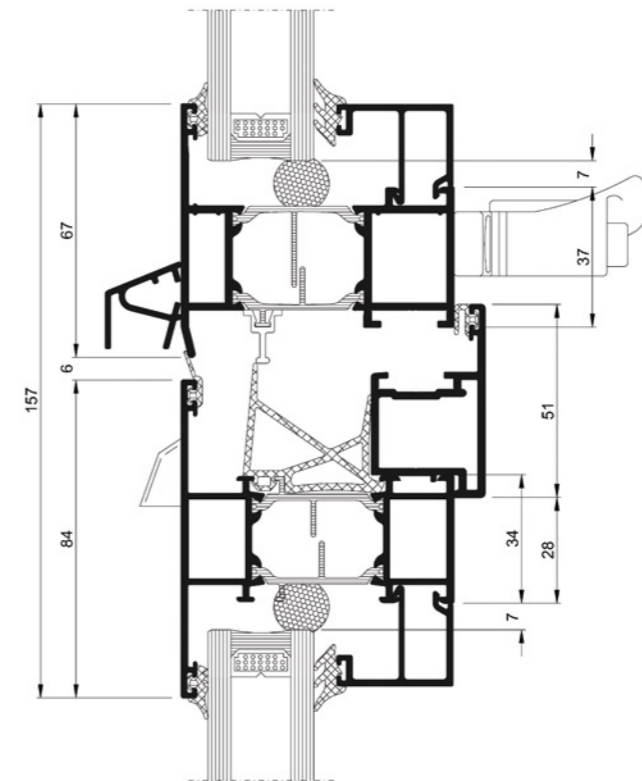


H5-21

AA[®]720 HORIZONTAL PIVOT WINDOW

Full details can be downloaded from our website www.kawneer.co.uk

TRANSOM CILL DETAIL



H5-24

AA[®]720 PARALLEL OPENING WINDOW

INTRODUCTION

The AA[®]720 Parallel Opening Window is available as a stand alone window system and as an insert into existing Kawneer curtain walling and framing systems allowing complete design freedom.

Based on the established Kawneer AA[®]720 window system, the parallel opening design benefits from the proven thermal performance of the standard AA[®]720 casement, achieving U-values of 1.2 W/m²K for a CEN sized window, triple glazed with warm edge spacer, while offering exceptional levels of natural ventilation and air exchange.

Increased air flow around the full perimeter of the window facilitates highly efficient natural ventilation while greatly reducing draughts. Fresh air is drawn in via the bottom of the window while warm, stale air is expelled via the top of the window creating full circulation of air within the room.

This efficient exchange of air can assist with Approved Document F compliance and can enable the AA[®]720 Parallel Opening Window to meet the ventilation requirements of even the most demanding project.

PRODUCT FEATURES AND BENEFITS

- Effective ventilation around the whole perimeter of the window - can achieve approximately twice the natural ventilation of an equivalent sized top hung window*
- Increased air circulation and natural ventilation - draughts are reduced while fresh air ventilation exchange is maximised*
- 80mm clear opening restriction as standard - safety for all users and occupants
- Proven thermal performance of standard AA[®]720 - U-value of 1.2 W/m²K for CEN sized window, triple glazed with warm edge spacer
- Suites with Kawneer Curtain Wall and Framing products total design flexibility, offering total project solutions
- Parallel operation of window - maintains the same reflective aesthetic as the façade
- Maximum vent size of 1500mm wide x 2400mm high for manual operation (larger sizes may be possible using automatic operators) - large vents allow maximum glass area and can reduce the quantity of vents required
- Maximum weight 200kg

* A case study carried out by Arup based on a typical classroom reported free air flow of 560 litres/sec for parallel opening windows compared to 290 litres/sec for top hung windows of an equivalent size. Similarly, air changes within the classroom were reported as 10.9 per hour for the parallel window design compared to 5.7 for the equivalent sized top hung windows.

Roberts K. CFD Comparative Analysis of Parallel & Top Hung

OPERATIONAL SAFETY

The AA[®]720 Parallel Opening Window operating forces have been independently tested with vent sizes up to a maximum of 1500mm wide x 2400mm high falling within the 100N operating force requirement for manual operation**. The AA[®]720 Parallel Opening Window can also be used with automatic operators for operating forces greater than 100N or in places of restricted access.

** Size and weight dependant

Windows are restricted to 80mm clear opening as standard giving the confidence of safe operation for all users while further enhancing the security of the window.

SECURITY***

The AA[®]720 Parallel Opening Window has been independently tested to PAS 24:2016.

*** Does not refer to standard hardware, security hardware required.



AA[®]720 Parallel Opening Window

Associated British Foods Regional HQ, Peterborough

Architect: CPMG Architects

Photo: Martine Hamilton Knight



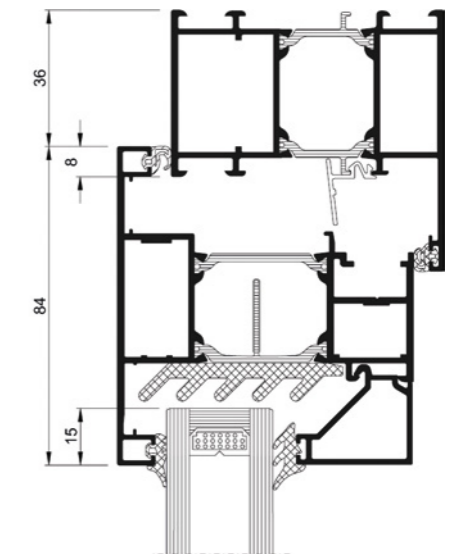
AA[®]720 PARALLEL OPENING WINDOW APPLICATIONS

TYPICAL ELEVATIONS

Full details can be downloaded from our website www.kawneer.co.uk

Elevation	Title	Website CAD ref. no.
	1, 2 Jamb Sections	H-001
	3, 4 Head and Cill Sections	H-006
	5 Cill - POW Insert into Curtain Wall	H-003
	6 Jamb - POW Insert into Curtain Wall	H-004
	7 Run-Up Blocks	H-002

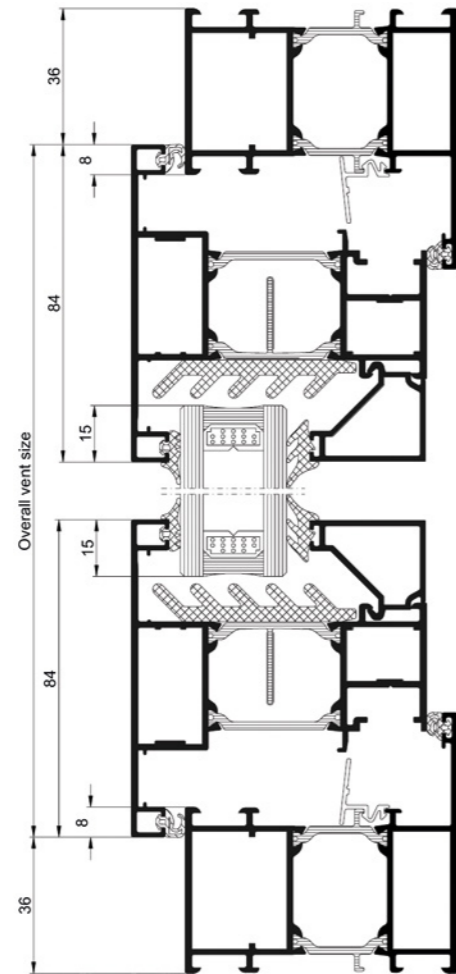
FRAME AND VENT SIZE OPTIONS



AA[®]720 PARALLEL OPENING WINDOW

Full details can be downloaded from our website www.kawneer.co.uk

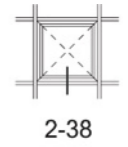
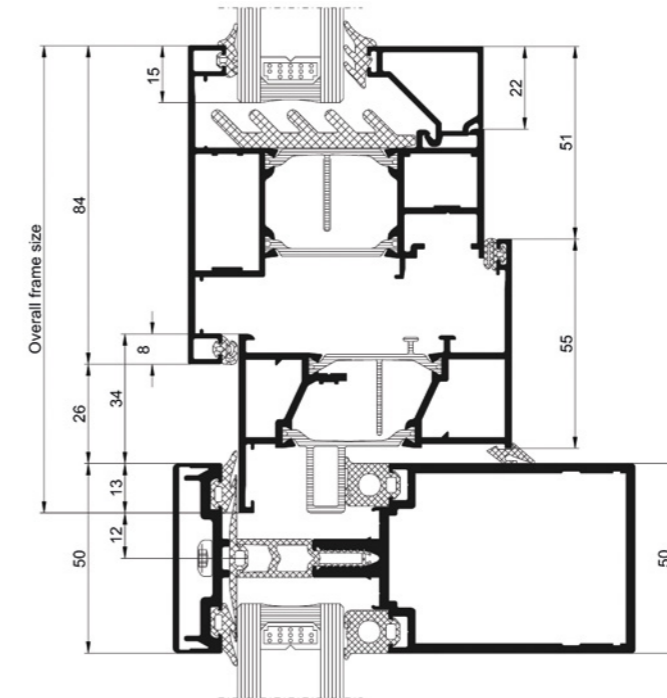
HEAD AND CILL DETAIL



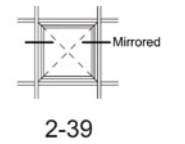
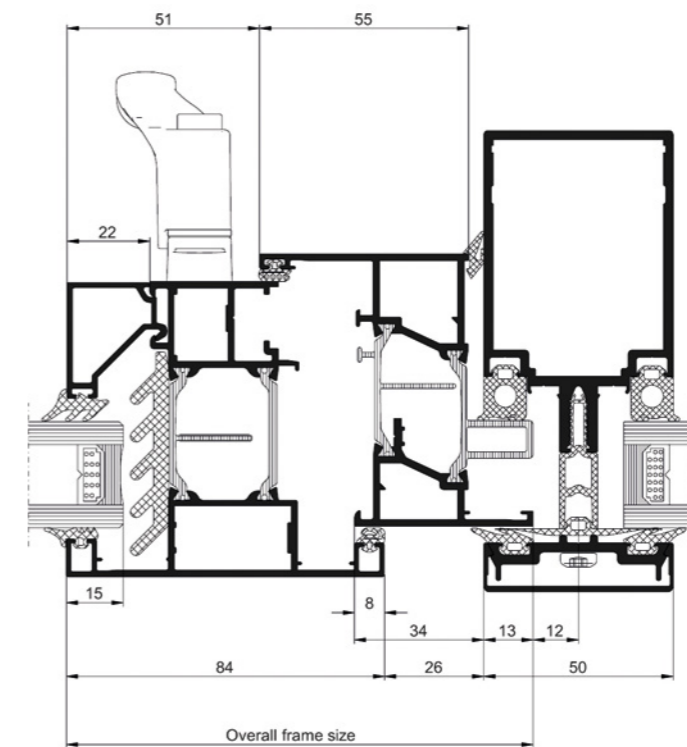
AA[®]720 PARALLEL OPENING WINDOW

Full details can be downloaded from our website www.kawneer.co.uk

PARALLEL OPENER INTO CURTAIN WALL



PARALLEL OPENER INTO CURTAIN WALL



AA[®]720 INWARD OPENING WINDOW SYSTEMS

INTRODUCTION

The AA[®]720 Series has been developed to meet the latest European requirements for thermal performance.

To enable complete flexibility of design, performance and cost, the AA[®]720 Series is available in four levels of thermal performance – AA[®]720, AA[®]720 HW, AA[®]720 HI and AA[®]720 HI Reflex.

The 72mm profiles incorporate the very latest thermal technology including; extruded polyamide and patented thermal breaks, insulated centre seals, foam isolators and foam core insulation.

As well as being fully integrated, the range can suite with Kawneer's curtain walling and framing products and is suitable for installation in low or high rise buildings for commercial and domestic new build or refurbishment projects.

A range of suited handles are available for our AA[®]720 Open In Tiltturn, Turn Before Tilt, Turn Only, Bottom Hung and French Casement, see pages 6 and 7.

CONSTRUCTION

Crimped or pinned with mechanical corner cleats. Corner braces are also used.

Weathering is achieved by the use of single and dual durometer, EPDM gaskets.

Pressure equalised system.

CONFIGURATIONS

As well as flexibility in performance, the AA[®]720 offers versatility in design with the range encompassing a wide variety of integrated window and door configurations. There is also a fire resistant AA[®]720 FR variant within the range that provides fire-rated door and fixed screen solutions.

DESIGN VARIANTS

Design variants to the AA[®]720 Inward Opening window range are:

- Softline/Design variants with rounded contours
- Concealed Vent variant where vent profiles are not visible from the outside
- Curtain Wall Look-alike variant that offers the appearance of curtain wall
- Two-Stage Open-In Accessibility Vent option, see page 14

For information on Kawneer's AA[®]720 Series Door Systems please refer to the Door Systems brochure.

GLAZING

Glazing and panels up to 56mm thickness can be accommodated enabling the use of triple glazing for when there is a requirement for the very highest thermal and acoustic performance.

SECURITY*

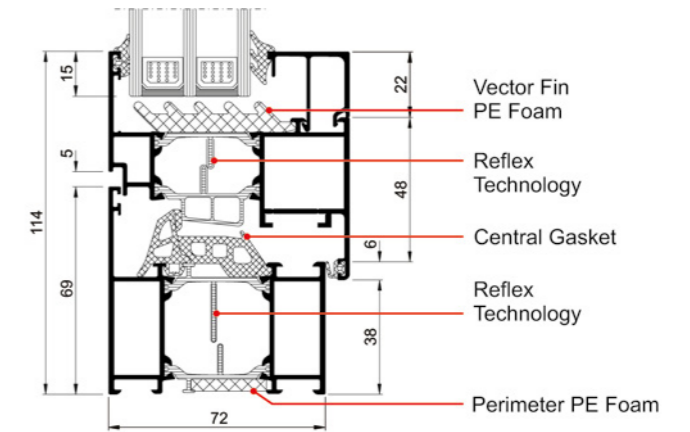
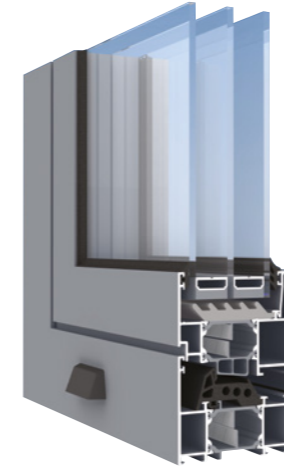
The AA[®]720 Tiltturn Window has been independently tested to PAS 24:2016.

* Does not refer to standard hardware, security hardware required.

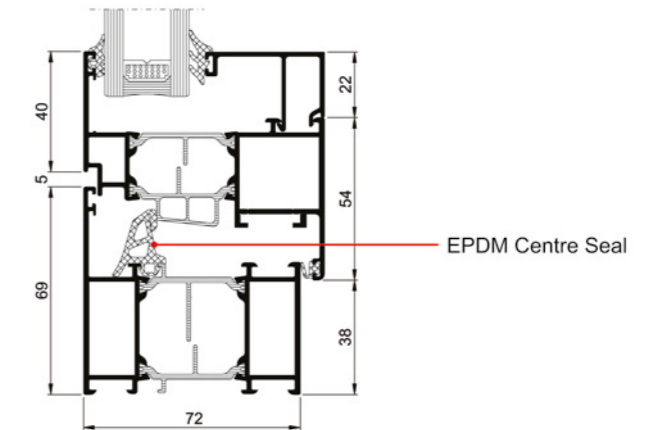


THERMAL PERFORMANCE - INWARD OPENING

AA[®]720 HI REFLEX TILTTURN



AA[®]720 TILTTURN



INDEPENDENTLY WEATHER PERFORMANCE TESTED TO BS 6375-1: 2015

	Air Infiltration BS EN 12207	Watertightness BS EN 12208	Wind Resistance BS EN 12210
AA [®] 720 Tiltturn	Class 4 (600 Pa)	Class E1200 (1200 Pa)	Class E2400 (2400 Pa)

Window complies with Operation and Strength Test BS 6375 Pt2: 2015

Details of the Kawneer product tests are available from the Technical Services Department at Runcorn.

AA[®]720 INWARD OPENING WINDOW

THE AA[®]720 REFLEX TECHNOLOGY

Due to the continued market demands for high performance windows, Kawneer has developed a unique system it can apply to its polyamide thermal breaks to give further thermal improvements to the window, and reduce heat transfer through the profile.

The inclusion of a low emmissivity reflective foil to the thermal 'flags' allows the AA[®]720 Tiltturn to achieve U-values as low as 1.0 W/m²K for a CEN size window with a warm edge spacer**

ADDITIONAL PRODUCT FEATURES

In addition to the features described, the AA[®]720 Tiltturn Window offers market leading weight capabilities for a top hung window. With a capability of up to 130kg, high performance acoustic and/or security glass applications can be easily accommodated within the standard window without additional reinforcements or fabrication requirements.

With a choice of locking or non locking handles in a range of finishes, the system can be incorporated effectively in a number of applications.

The AA[®]720 Tiltturn Window has been designed with flexibility and ease of fabrication as key requirements. The system is internally glazed and incorporates a standard hardware groove, to provide cost effective locking hardware without compromising performance or security.

THERMAL PERFORMANCE

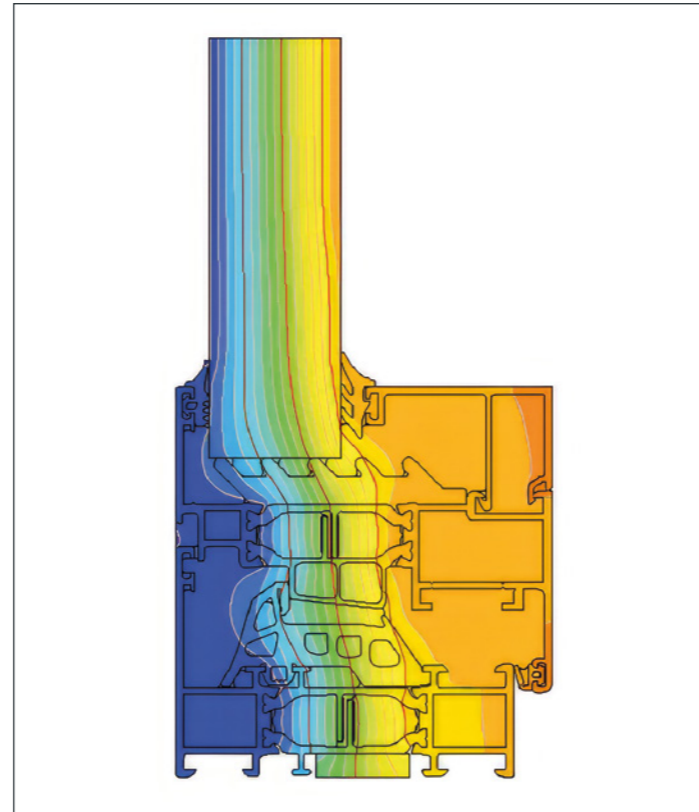
The AA[®]720 Tiltturn can be manufactured within 4 levels of thermal performance – providing flexibility in design, performance and cost.

AA[®]720 – Most cost effective option – EPDM centre seal.

AA[®]720 HW – Greater Performance Level, cost conscious – Closed cell vent perimeter foam, EPDM centre seal.

AA[®]720 HI – Greater Performance Level – Closed cell vent perimeter foam, dual durometer centre seal.

AA[®]720 HI Reflex – Highest Performance Level – Reflex Technology within the vent and frame profiles, closed cell PE vector fin glazing rebate foam, closed cell frame perimeter foam insulation tape, dual durometer centre seal.

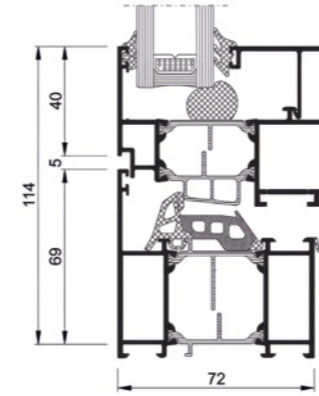


Thermal Evaluation of the AA[®]720 HI Reflex Tiltturn Window

AA[®]720 INWARD OPENING WINDOW

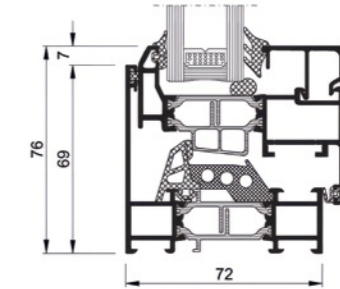
AA[®]720 HI STANDARD

Straight overall contour with flush vent and frame line

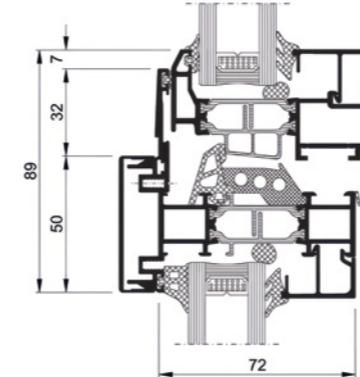


AA[®]720 HI INTEGRAL (CONCEALED VENT)

Narrow sightlines with visible aluminium facet on the vent



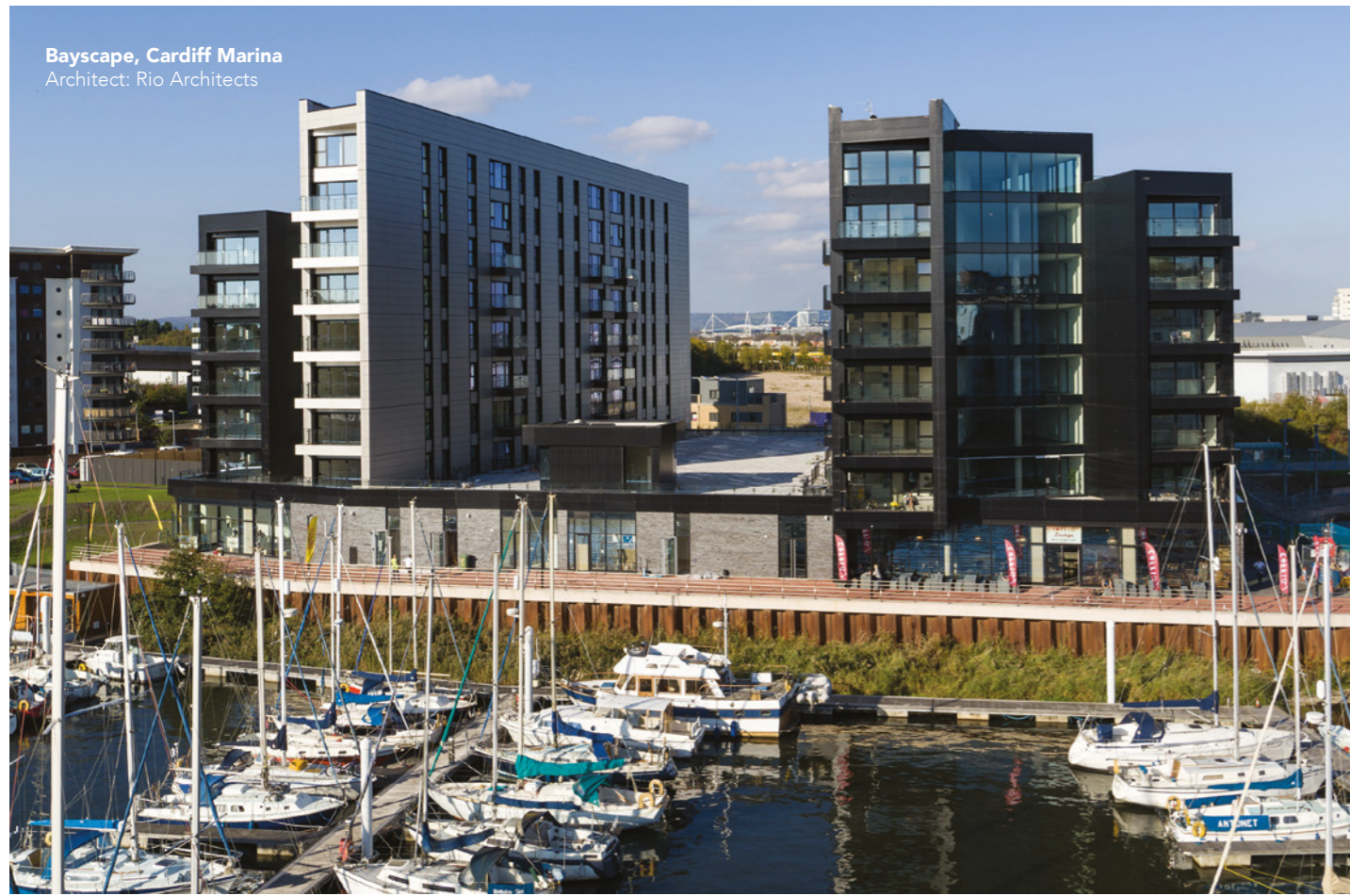
AA[®]720 HI CURTAIN WALL LOOK-ALIKE



	Tiltturn		HW Tiltturn		HI Tiltturn		HI Reflex Tiltturn	
Glass	1.0 Ug*	0.6 Ug**	1.0 Ug*	0.6 Ug**	1.0 Ug*	0.6 Ug**	1.0 Ug*	0.6 Ug**
Overall Uw	1.5 W/m ² K	1.2 W/m ² K	1.3 W/m ² K	1.0 W/m ² K	1.3 W/m ² K	1.0 W/m ² K	1.3 W/m ² K	1.0 W/m ² K

Based on a 34mm Outer Frame/43mm Inside Glaze vent Combination

* Window Energy Ratings and U-values based on CEN size windows (1230mm x 1480mm) using 1.0 W/m²K double glazing with warm edge (0.048 W/m²K) spacer.



AA[®]720 TILTURN WINDOW

INTRODUCTION

The AA[®]720 Tiltturn Window is part of the AA[®]720 range of Windows and Doors, designed to offer maximum weather and thermal performance at a competitive price range. Excellent thermal performance (AA[®]720 HI Reflex) has been met using Reflex technology with foam meeting the most demanding specification performance on any project.

PRODUCT FEATURES AND BENEFITS

- BRE Green Guide 'A' Rated Frame** for projects that require sustainable and environmental advantages
- Tilt before turn operation. Tilt for ventilation and turn for cleaning. The full opening in the 'turn' position offers an escape route in an emergency (subject to size)
- Standard bead, Box bead and Softline bead (Softline beads are mitred and secured with retaining clips)
- Excellent thermal performance U_t from 1.0W/m²K (AA[®]720 HI Reflex)
- Noise protection Rw=39-47dB
- Trickle ventilation option available to help meet the requirements of Document F
- Multi-point locking for added security and added safety in operation
- Accommodates glazing up to 56mm including triple glazing
- Suites with AA[®]720 series, Juliet Balustrade, Juliet Balcony, LouvreShield, AA[®]100/AA[®]110 Curtain Walling, 451PT Framing and Door Systems
- Two-Stage Open-In Accessibility Vent option, see page 14
- Suited Handle Options available, see pages 6 and 7

VENT SIZE LIMITATIONS

All dimensions stated are in millimetres.
All dimensions stated are vent sizes.
Dimensions stated are General System Limitations.

Vent profile and hardware options are chosen depending upon size and glass weight.

- Maximum weight 300kg
- Vent 1600mm x 2100mm
- Leaf 1100mm x 3000mm

SECURITY*

The AA[®]720 Tiltturn Window has been independently tested to PAS 24:2016.

* Does not refer to standard hardware, security hardware required.



** Corresponds to the BRE Global Green Guide online generic specification for windows and achieves a summary rating of A for non-domestic schemes. www.thegreenguide.org.uk Element Number 1231500007

TILTURN PRODUCT SELECTOR

AA [®] 720 Tiltturn*	
Performance	
Weather Performance (BS 6375)	■
Security to PAS 24:2016	■
U _w (Double Glazing)	1.4 W/m ² K
U _w (Double Glazing with warm edge spacer)**	1.3 W/m ² K
U _w (Triple Glazing)	1.1 W/m ² K
U _w (Triple Glazing with warm edge spacer)***	1.0 W/m ² K
Special Feature	
BRE Green Guide Rating ^o	A
Design Features	
Dual Colour Option	■
Composite Windows	■
Ribbon Windows	■
Punched Out Openings	■
Triple Glazing	■
Infills:	up to 56mm
Standard Hardware Groove	■
Multi-Point Locking	■
100mm Restriction	■
Trickle Ventilation	■
Locking Handles	■
Butt Hinges	■
Multi-function Handle	■
Two-Stage Open-In Accessibility Hardware Option¶	■
Suited Handle Options‡	■
System Depth	
72mm	■
Maximum Window Sizes ● Up To	
Tiltturn only ●	1600mm(W) & 2100mm(H)
Side Hung ●	1600mm(W) & 2100mm(H)
Bottom Hung ●	2000mm(W) & 1200mm(H)
Applications	
New Build	■
Refurbishment	■
Heavy Commercial	■

Notes:

* Based on the AA[®]720 HI Reflex

** Window Energy Ratings and U-values based on CEN size windows (1230mm x 1480mm) using 1.0 W/m²K double glazing with warm edge (0.048 W/m²K) spacer.

*** U-values based on CEN size windows (1230mm x 1480mm) using 0.6 W/m²K triple glazing with warm edge (0.043 W/m²K) spacer.

● Height and Width Limitations vary dependant on glass weights and hardware requirements – please check with the Technical Services Department
o Corresponds to the BRE Global Green Guide online generic specification for windows and achieves a summary rating of A for non domestic schemes. www.thegreenguide.org.uk Element Number 1231500007 (A)

¶ For the AA[®]720 Two-Stage Open-In Accessibility Window, see page 14

‡ For the Suited Handle Options, see pages 6 and 7

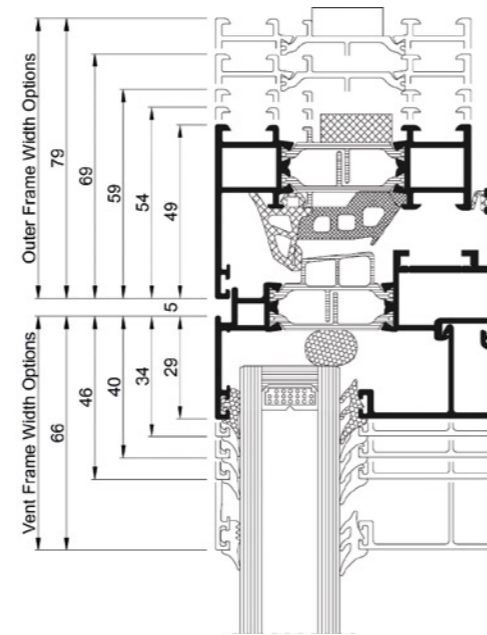
AA[®]720 TILTURNS WINDOW APPLICATIONS

TYPICAL ELEVATIONS

Full details can be downloaded from our website www.kawneer.co.uk

Elevation	Title	Website CAD ref. no.
	1 Tiltturn - Head & Jamb Wall Connection	H1-11
	1 Tiltturn - Head & Jamb Wall Connection Adaptor	H1-12
	2 Tiltturn - Cill Detail	H1-13
	3 Tiltturn - Vent Muntin	H1-30
	1 Tiltturn - Head & Jamb Wall Connection	H1-11
	2 Tiltturn - Cill Detail	H1-13
	4 Fixed Light - Head & Jamb	H1-14
	5 Fixed Light - Cill Detail	H1-15
	6 Tiltturn Vent/Fixed Light - Muntin	H1-17
	1 Tiltturn - Head & Jamb Wall Connection Adaptor	H1-11
	1 Tiltturn - Head & Jamb Wall Connection Adaptor	H1-12
	2 Tiltturn - Cill Detail	H1-13
	7 Tiltturn Vent/Tiltturn Vent - Muntin	H1-18
	1 Tiltturn - Head & Jamb Wall Connection Adaptor	H1-11
	1 Tiltturn Head & Jamb Wall Connection Adaptor	H1-12
	2 Tiltturn - Cill Detail	H1-13
	8 Tiltturn Vent/Turn Only Vent Rebate Adaptor	H1-20
	9 Tiltturn Vent/Turn Only Vent Rebate Adaptor	H1-21
	1 Tiltturn - Head & Jamb Wall Connection	H1-11
	2 Tiltturn - Cill Detail	H1-13
	4 Fixed Light - Head & Jamb	H1-14
	5 Fixed Light - Cill Detail	H1-15
	10 Tiltturn Vent/Fixed Light - Coupling	H1-27
	1 Tiltturn - Head & Jamb Wall Connection	H1-11
	4 Fixed Light - Head & Jamb	H1-14
	6 Tiltturn Vent/Fixed Light - Muntin	H1-17
	11 Tiltturn Vent/Bottom Hung Vent - Muntin	H1-23
	12 Tiltturn Vent Cill/Fixed Light - Muntin	H1-24
	13 Fixed Light - Horizontal Muntin	H1-25
	14 Fixed Light - Vertical Muntin	H1-26
	15 Window Curtain Wall, Muntin/Vent	H1-31
	16 Window Curtain Wall, Muntin/Integral Vent	H1-34
	17 Window Curtain Wall, Cill Detail	H1-32
	18 Window Curtain Wall, Head & Jamb Detail	H1-33
	1 Tiltturn - Head & Jamb Wall Connection	H1-11
	19 Barrier Free Balcony Door, Threshold Detail	H1-33

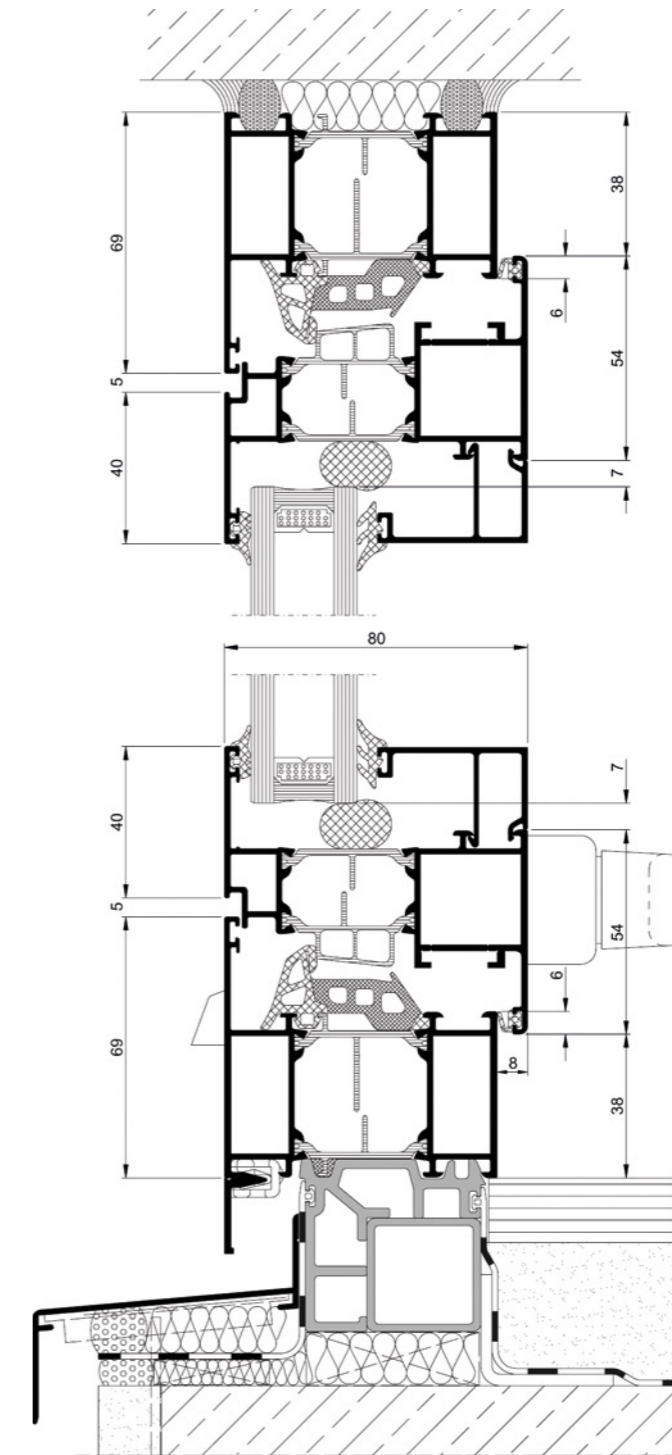
FRAME AND VENT SIZE OPTIONS



AA[®]720 TILTURNS WINDOW

Full details can be downloaded from our website www.kawneer.co.uk

HEAD AND CILL DETAIL

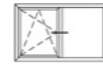
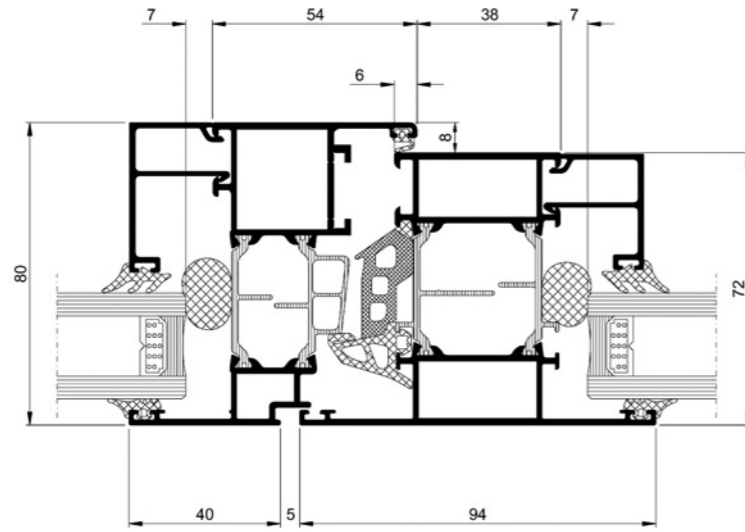


H1-11 and H1-13

AA[®]720 TILTURNS WINDOW

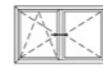
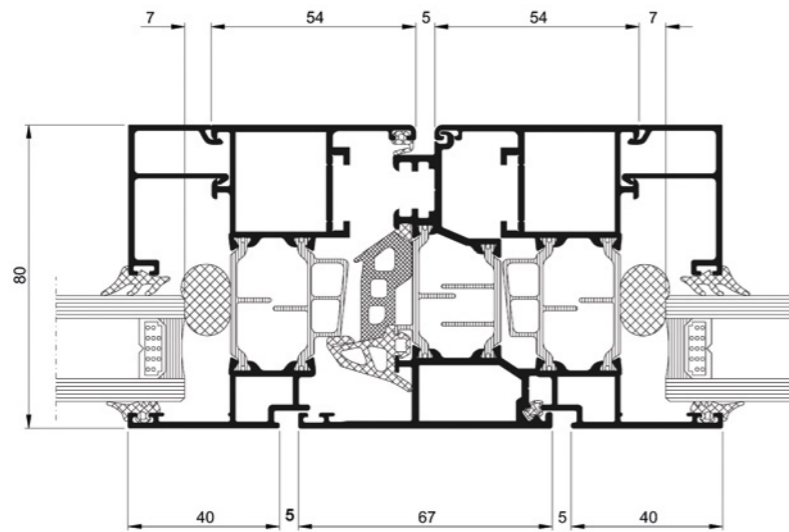
Full details can be downloaded from our website www.kawneer.co.uk

STANDARD MUNTIN/VENT DETAIL



H1-17

STANDARD, REBATE ADAPTOR/VENT/VENT DETAIL

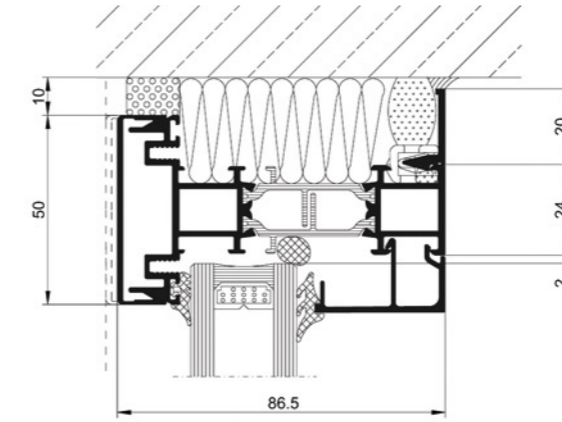


H1-21

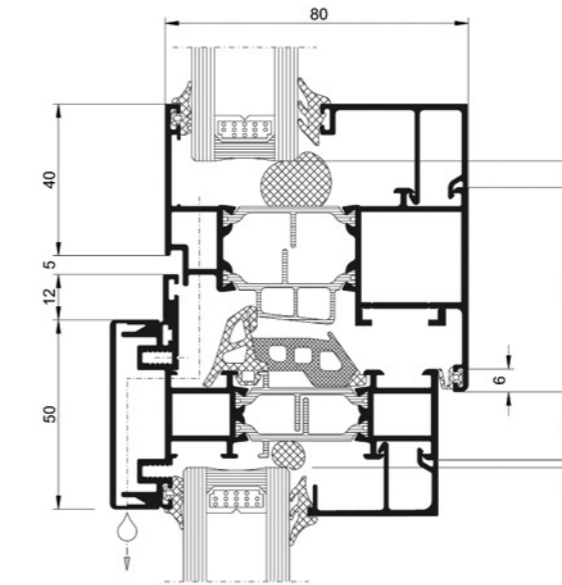
AA[®]720 TILTURNS WINDOW

Full details can be downloaded from our website www.kawneer.co.uk

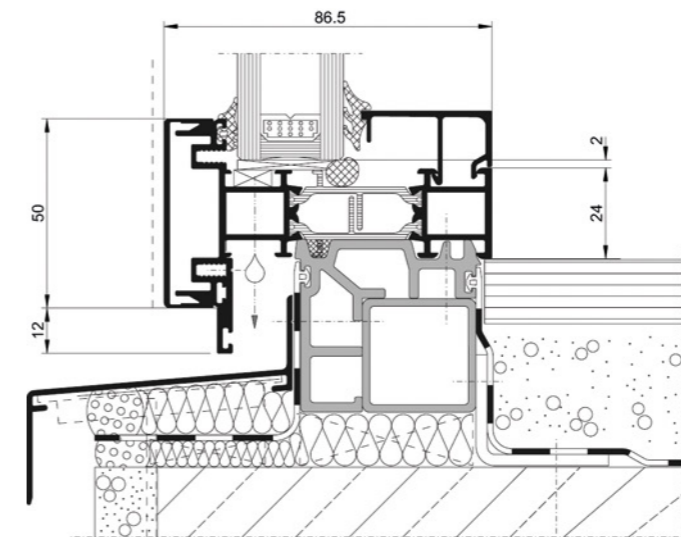
WINDOW CURTAIN WALL - HEAD, MUNTIN & CILL DETAIL



H1-33
Head



H1-31
Muntin with
Vent Above



H1-32
Cill

GT70S SLIMLINE RENOVATION WINDOW

INTRODUCTION

The GT70S Slimline Renovation Window is an elegant aluminium open-in fenestration solution designed specifically to replicate the appearance of steel windows. Suitable for installation in new build or refurbishment projects.

The GT70S uses a multi-chamber thermal break core ensuring thermal efficiency and full compliance with Approved Document L and Scottish Building Standards Part 6. Available as a tilt before turn or turn only window and uses polyamide thermal break offering single or dual colour options.

The products slender sightlines are enhanced further by optional bevelled designed feature caps adding a unique sculptured effect to the external surface of the building.

PRODUCT FEATURES AND BENEFITS

- Fine sightline characteristics of steel windows providing a suitable replication for steel windows with additional benefits associated with aluminium, such as the high strength to weight ratio
- Suitable for composite and ribbon windows
- Available as a tilt before turn or turn only window
- A range of structural and coupling mullions available
- Special bevelled beads, or feature caps, add a unique sculptured appearance to the building. Ideal for heritage projects
- Concealed drainage system to enhance the building's aesthetics
- Accommodates glazing up to 64mm

CONSTRUCTION

Framing construction incorporates a multi-chamber thermal break core ensuring thermal efficiency and full compliance with Document L. All frames have mechanically jointed and adhesive corners. Installation can be by the direct fix method or by twist in fixing lugs.

CONFIGURATIONS

The GT70S Slimline Renovation Window offers the following design configurations:

Inward Opening

- Tiltturn
- Tiltturn (Side Hung)
- Tiltturn (Bottom Hung)

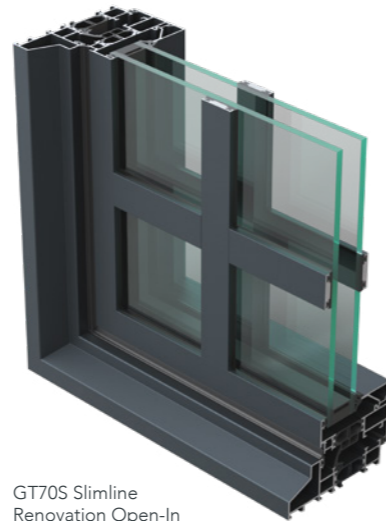
GLAZING

Accommodates glazing up to 64mm.
Box bead option for enhanced security.

SECURITY*

Independently tested by a UKAS accredited testing authority to PAS 24:2016.

* Does not refer to standard hardware, security hardware required.



GT70S Slimline Renovation Open-In

GT70S PRODUCT SELECTOR

	GT70S Reflex I	GT70S Reflex I+
Performance		
Weather Performance (BS EN 12207)	■	■
Security to PAS 24:2016	■	■
Uw (Double Glazing with warm edge spacer)*	1.5 W/m²K	1.4 W/m²K
Uw (Triple Glazing with warm edge spacer)**	1.2 W/m²K	1.1 W/m²K
Special Features		
BRE Green Guide Rating ^o	A	A
Design Features		
Dual Colour Option	■	■
Composite Windows	■	■
Ribbon Windows	■	■
Punched Out Openings	■	■
Triple Glazing	■+	■+
Infills:	up to 64mm	up to 64mm
Standard Hardware Groove	■	■
Multi-Point / Single Sided Locking Options	■	■
100mm Restriction	■	■
Trickle Ventilation	■	■
Locking Handles	■	■
System Depth		
72mm	■	■
Maximum Window Sizes ●		
	Up To	Up To
Tiltturn ●	1550mm(W) & 2200mm(H)	1550mm(W) & 2200mm(H)
Tiltturn (Side Hung) ●	1550mm(W) & 2400mm(H)	1550mm(W) & 2400mm(H)
Tiltturn (Bottom Hung) ●	2400mm(W) & 1200mm(H)	2400mm(W) & 1200mm(H)
Applications		
New Build	■	■
Refurbishment	■	■

INDEPENDENTLY WEATHER PERFORMANCE TESTED TO BS EN 12207: 2016

	Air Infiltration BS EN 12207	Watertightness BS EN 12208	Wind Resistance BS EN 12210
GT70S Slimline Renovation (Open In)	600 Pa	600 Pa	2400 Pa (Windload)* 1750 Pa (Safety)*

* This is dependant upon correct mullion and transom selection to suit span and spacing per project

Details of the Kawneer product tests are available from the Technical Services Department at Runcorn.

Notes:

* Window Energy Ratings and U-values based on CEN size inward opening (1230mm x 1480mm) using 1.0 W/m²K double glazing with warm edge (0.036 W/m²K) spacer.

** U-values based on CEN size inward opening (1230mm x 1480mm) using 0.6 W/m²K triple glazing with warm edge (0.036 W/m²K) spacer.

+ Optional/Limited

● Height and Width Limitations vary dependant on glass weights and hardware requirements – please check with the Technical Services Department

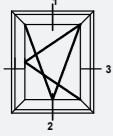
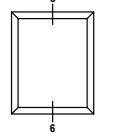
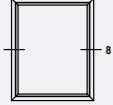
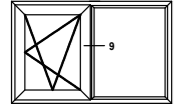
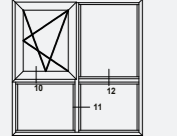
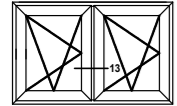
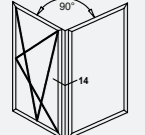
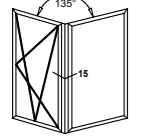
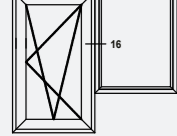
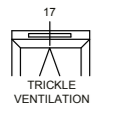
o Corresponds to the BRE Global Green Guide online generic specification for windows and achieves a summary rating of A for non-domestic schemes. www.thegreenguide.org.uk Element Number 1231500007

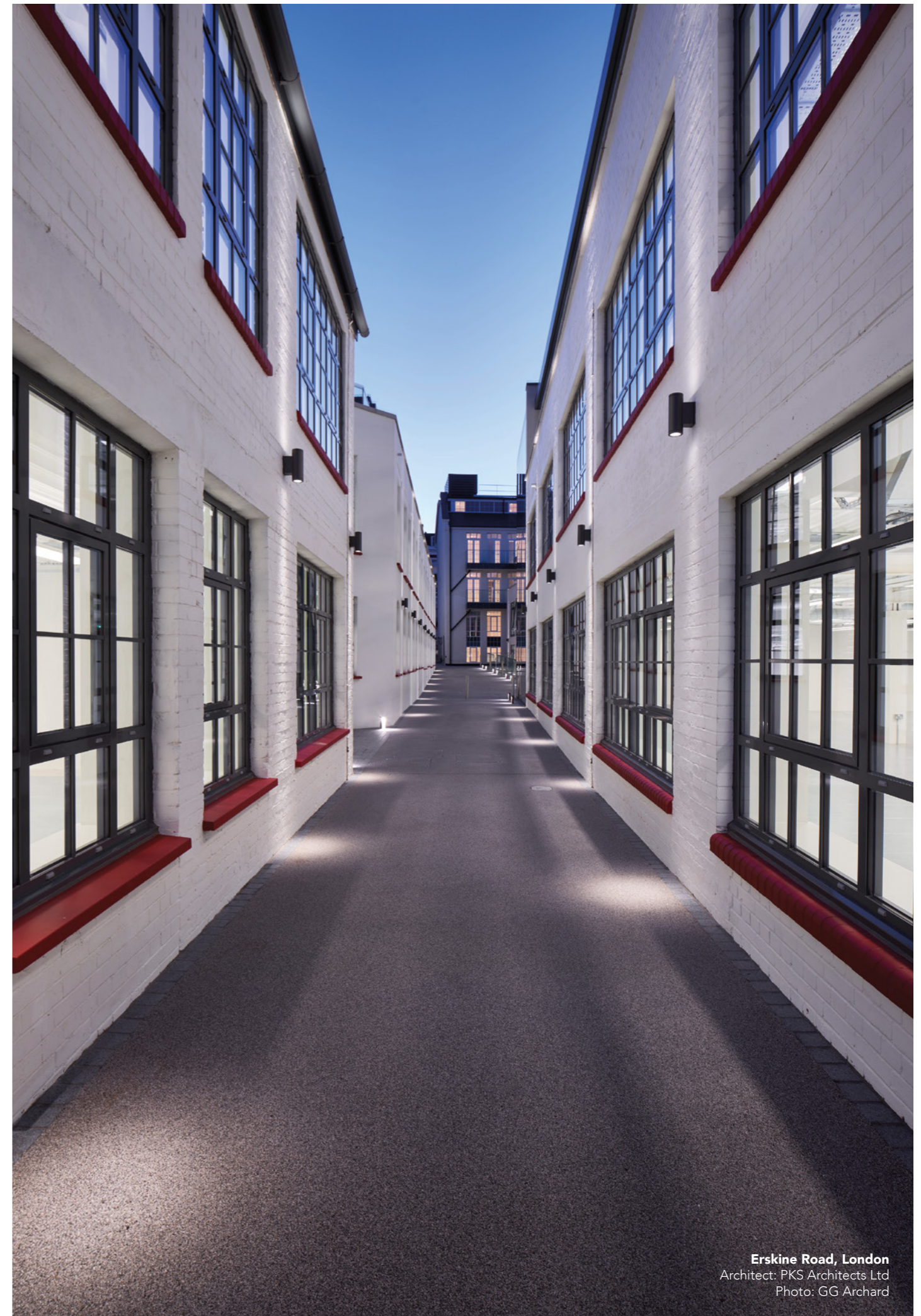
GT70S SLIMLINE RENOVATION WINDOW APPLICATIONS

Available in Tiltturn, Turn Before Tilt, Turn Only (In) and French Casement

TYPICAL ELEVATIONS

Full details can be downloaded from our website www.kawneer.co.uk

Elevation	Title	Website CAD ref. no.	
		GT70S	GT70S Steel Look Renovation
	1 Tiltturn Head Detail	PMH-004	PMH-020
	2 Tiltturn Cill Detail	PMH-004	PMH-019
	3 Tiltturn Jamb Detail	PMH-005	PMH-021
	5 Fixed Light Head (Inside Glazed)	PMH-006	PMH-017
	6 Fixed Light Cill (Inside Glazed)	PMH-006	PMH-016
	7,8 Fixed Light Jamb (Inside Glazed)	PMH-007	PMH-017
	9 Tiltturn/Fixed Light Muntin	PMH-008	PMH-022
	10 Tiltturn/Fixed Light Transom	PMH-009	PMH-023
	11 Fixed Light/Fixed Light Muntin	PMH-014	
	12 Fixed Light/Fixed Light Transom	PMH-013	
	13 Tiltturn/Tiltturn Transom	PMH-010	
	14 90° Corner/(Tiltturn/Fixed Light)	PMH-032	PMH-033
	15 135° Corner/(Tiltturn/Fixed Light)	PMH-034	PMH-035
	16 Tiltturn Curtain Wall Insert - Head	PMH-078	
	17 Trickle Ventilation	PMH-030	PMH-080

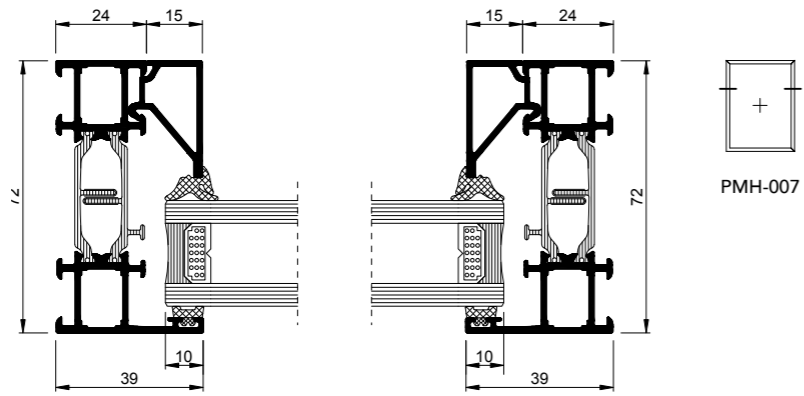


Erskine Road, London
 Architect: PKS Architects Ltd
 Photo: GG Archard

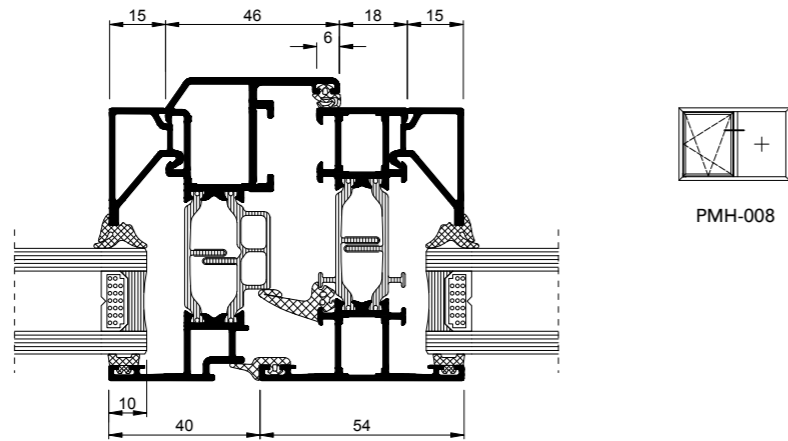
GT70S SLIMLINE RENOVATION WINDOW

Full details can be downloaded from our website www.kawneer.co.uk

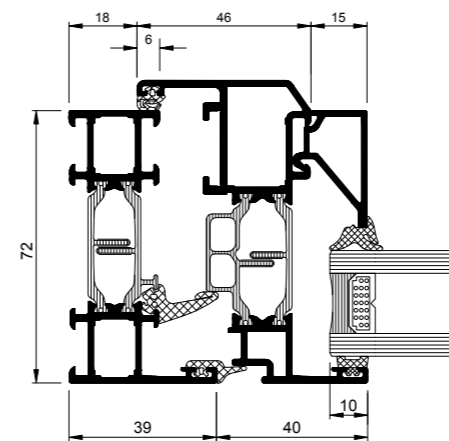
JAMB DETAIL (FIXED LIGHT)



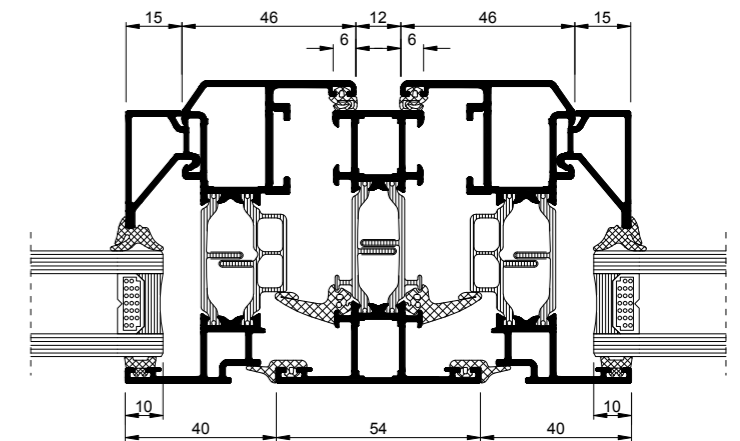
JAMB DETAIL (TILTURN NEXT TO FIXED LIGHT)



JAMB DETAIL (TILTURN)



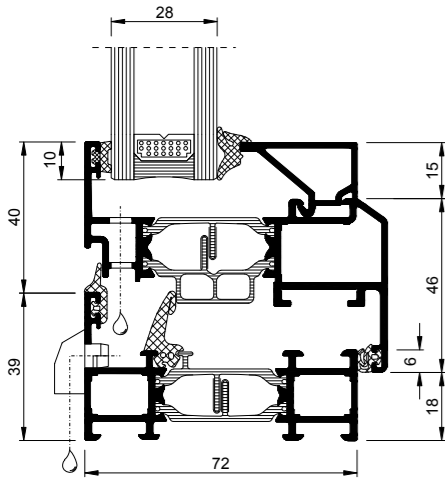
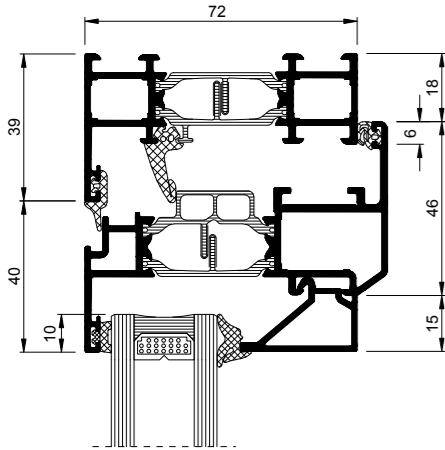
JAMB DETAIL (TILTURN NEXT TO FIXED LIGHT)



GT70S SLIMLINE RENOVATION WINDOW

Full details can be downloaded from our website www.kawneer.co.uk

HEAD AND CILL DETAILS

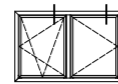
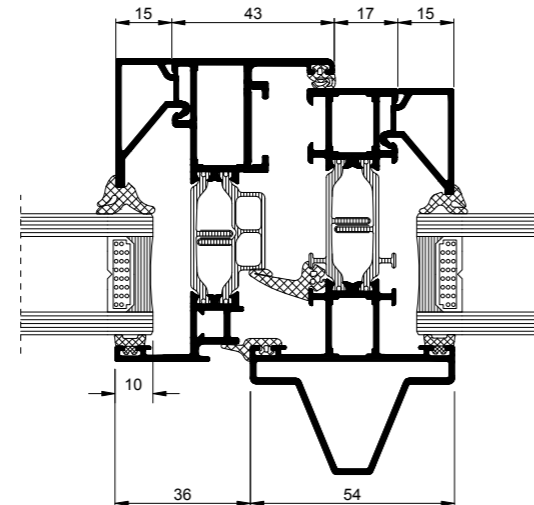
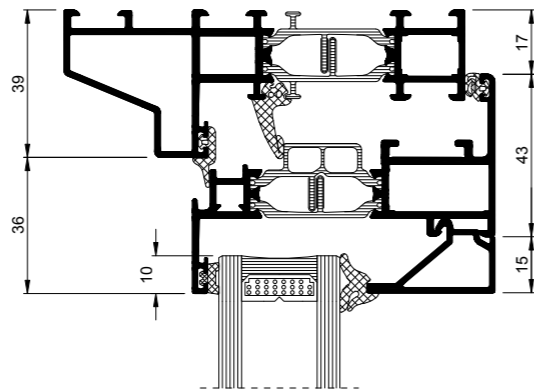


PMH-003

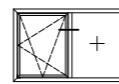


PMH-004

STEEL LOOK RENOVATION OPTION



PMH-020



PMH-022



London Screen Academy, Islington
Architect: Architecture Initiative



CASE STUDY THE COPPER HOUSE, LIVERPOOL

KAWNEER SYSTEMS HELP SET NEW STANDARDS BY THE RIVER MERSEY

A diverse range of systems by Kawneer were specified for a landmark BTR (Build-to-Rent) residential development overlooking Liverpool's iconic waterfront.

Kawneer's AA®100 curtain wall, AA®720 windows and doors, AA®541 window vents and AA®190 TB doors all feature on the £60 million Copper House at 21 Strand Street, designed by Leach Rhodes Walker architects and developed over three years by main contractor GRAHAM.

The Kawneer systems were installed by approved specialist subcontractor FK Group. These included AA®100 zone-drained curtain wall on the ground, second and third storeys, AA®720 top-hung casement and fixed light windows at the rear of the building, and AA®720 single and double-leaf doors on the first and sixteenth floors. AA®541 casement vent inserts also featured in the curtain wall on floors one to 16 and AA®190 TB doors to the ground floor screens.

The city centre brownfield site has been transformed into a 29,000m² (GIA) landmark development of 383 apartments for rent over 15 floors, with communal facilities including a residents' lounge and private gym and 1,000ft² of commercial units on the ground floor.

Residents of the one- to three-bedroomed apartments benefit from rooftop facilities – garden space with flexible and fixed seating, booths with fire pits and fire tables, an outdoor covered kitchen, and a multi-use central space for events or exercise, all enclosed by a 2m-high glass balustrade that provides weather protection without detracting from the stunning views of the river and the Albert Dock.

Christian Gilham, Director at Leach Rhodes Walker for the project, said: "We had promised the city a high quality, landmark building befitting its fantastic location, and we needed the same high quality materials to accompany the quality of design proposed."

Joe Carroll, Project Architect and designer of the scheme, said: "I am very proud we have realised this exciting and unique design on the prominent site, and being able to specify the quality of façade materials was key in delivering this."

Ralph Sage, Senior Project Leader for Leach Rhodes Walker who are frequent specifiers of Kawneer systems, said the systems were specified for "familiarity, known quality and extensive range" and were a significant feature of the elevational treatment. "They provided the quality feel and appearance appropriate to the prestige location. They also met the security requirements where required and the thermal and acoustic requirements,".

GRAHAM was appointed by joint venture partners Patten Properties and Panacea Property Development on behalf of Invesco Real Estate, the global real estate investment manager, as part of its growing UK residential portfolio.

Peter Reavey, Construction Director for GRAHAM, believes The Copper House set a new standard for residential accommodation in Liverpool. "GRAHAM is proud to have delivered this high-quality residential scheme that provides a stunning addition to this iconic part of Liverpool city centre. The Copper House is a stand-out development. The quality of both the design and the build sets it apart, offering future residents a modern living environment with a community feel."

Neil Patten, Joint Managing Director of Panacea Properties, said: "We were ambitious in the vision we set out for The Copper House, and to see it realised in such a spectacular way is something the entire team is very proud of. This has been a long, challenging scheme, but the commitment to get every detail right has paid off considerably. Liverpool now has a sought-after residential development that encapsulates the optimism and ambition of the city."

SUPPORTING YOUR PROJECTS

A FULL RANGE OF GUARANTEED COLOURS AVAILABLE

Established in the UK for over 60 years and powder coating profiles at its Runcorn base for 50 years, Kawneer has deep knowledge and experience in the specification and application of colour and paint systems.

The existing powder coating facility was converted to 'chrome free' – the first existing plant in the UK to be upgraded to this environmentally friendlier pre-treatment system – which gave Kawneer additional impetus to become a QUALICOAT approved applicator.

Quality and consistency of quality continues to be the main feature of QUALICOAT UK & Ireland, which includes third party testing of all certified powder formulations and pre-treatment systems that make up the QUALICOAT approval process. Kawneer has achieved 'Seaside' specification standard with this third party accreditation programme.

Kawneer Permacover™ is a high quality polyester powder paint finish, offering a wide range of solid and metallic colours providing outstanding resistance to environmental conditions. Kawneer Permacover™ has a 15 year gloss and 30 year matt and metallic guarantees subject to application and Kawneer acceptance in marine, industrial, swimming pools or other aggressive atmospheres.

To ensure the highest quality finish, powder coating is carried out in house as part of our single-source responsibility.

Kawneer Permanodic® is a range of subtle anodised colours which have been specifically developed for architectural glazing systems. Kawneer Permanodic® is a tried and tested anodising process, proven in accelerated laboratory tests, extensive field trials and contract experience. Subject to compliance with Kawneer's requirements, a 25 year finishes guarantee can be obtained.



AUTHORITIES

ISO 9001

Quality Management System

BS EN 12020

Extruded precision aluminium profiles

BS EN 12206-1

Paint and varnishes. Coating of aluminium and aluminium alloys for architectural purposes

BS 3987

Specification for anodic coatings

BS 6375 Part 1

Classification for weathertightness

BS 6375 Part 2

Specification for operation and strength

BS 4873

Specification for aluminium alloy windows and doorsets

PAS 24

Enhanced security performance requirements for doorsets and windows in the UK

BS 4255 Part 1

Specification for non-cellular gaskets

ASTM C509-94

Specification for cellular gaskets

BS EN ISO 10077 Parts 1 & 2

Thermal performance of windows, doors and shutters. Calculation of thermal transmittance

IFT Guideline WA-01 Eng/2

Uf-values for thermal break metal profiles of window systems, IFT Rosenheim

PROJECT ASSISTANCE

Kawneer's regionally based team of Architectural Advisers and the Architectural Services Team based at our Head Office in Runcorn are able to provide project advice and support:

Tel: 01928 502604

Email: kawneerAST@arconic.com

Information on Kawneer's extensive range of Curtain Wall, Window, Framing, Door, Fire Resistant and Sliding Solutions can also be obtained from our Head Office by calling:

Tel: 01928 502612

Kawneer UK Ltd is part of Building and Construction Systems, and enjoys the extensive resources of the entire Kawneer organisation, allied to the specific glazing systems experience of Kawneer's many operations around the world. As a result of this our partners and customers have direct access to one of the largest pools of technical expertise in the construction industry.

St Albans Place, Leeds
Architect: Feilden Clegg Bradley Studios
Photo: Will Pryce



OTHER BROCHURES AVAILABLE ON REQUEST FROM KAWNEER ARE:

- Finishes
- Door Systems
- Framing Systems
- Curtain Wall Systems
- Unitised Curtain Wall Systems
- K-Vantage Systems
- LouvreShield
- Sliding Solutions
- Fire Resistant Systems
- Passive House Façade Solutions
- Suited Handle Range
- Sustainability
- Maintenance and Cleaning
- Education
- Residential
- Perspectives
- The Architects Guide to Aluminium in Building

To download these brochures please visit www.kawneer.co.uk

Front Cover: The Copper House, Liverpool
Architect: Leach Rhodes Walker

June 2024



Kawneer's continuous development and engineering programmes may bring about product changes. Kawneer reserves the right to introduce without notice such changes which will not detract from the product's performance.

© KAWNEER UK LTD



Kawneer UK Ltd
Astmoor Road
Astmoor Industrial Estate
Runcorn
Cheshire
WA7 1QQ
United Kingdom
Tel: +44 (0) 1928 502500

London Office
12 Berwick Street
Soho
London
W1F 0PN
Tel: +44 (0) 207 287 5911

Architectural Services Team
Tel: +44 (0) 1928 502604
Email: kawneerAST@arconic.com
www.kawneer.co.uk